

Decorative Hardware

Hinges

Cabinet Bumpers

Cabinet Organizers

Drawer Slides

CORK BUMPER PADS

Amerock



- For use on cabinets with self-closing hinges.
- Self-adhesive.
- Brown cork/rubber.

ORDER #	SIZE	DESC.	PKG.	UNIT
CM4000-M19	1 1/32"W	CORK	200	PK.

FELT BUMPER PADS

Amerock

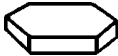


- For use on cabinets with self closing hinges.
- Self-adhesive.
- Brown felt.

ORDER #	DIAM.	DESC.	PKG.	UNIT
CM4014-M2	1 1/32"	FELT	200	PK.

FOAM BUMPER PADS

3M



- Low compression, "soft" polyurethane foam.
- Pressure sensitive adhesive backing.

ORDER #	SIZE (W x H)	COLOR	PKG.	UNIT
SJ-5201	11mm x 3.2mm	BROW	132	PK.
SJ-5202	11mm x 1.6mm	BROW	132	PK.

PLASTIC BUMPER PADS

3M



- Stable color, will not yellow.
- Excellent sound dampening.
- Pressure sensitive adhesive backing.

ORDER #	SIZE (W x H)	COLOR	PKG.	UNIT
SJ-5302	7.9mm x 2.2mm	CLEAR	408	PK.
SJ-5306	9.5mm x 3.8mm	CLEAR	48	PK.

SLIDE-OUT BUMPERS

EB Bainbridge

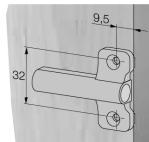
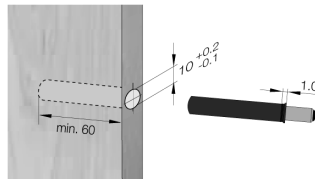


- Protects interior of cabinet doors from damage caused by roll-out trays.

ORDER #	DESC.	COLOR	PKG.	UNIT
1926WH-32	PLASTIC	WHITE	100	EACH

AIRMATIC PIN CYLINDER & ADAPTER PLATE

G*GRASS®



- **66528-40:** Installation: Drill hole in front edge of cabinet (Ø 10mm x 60mm)
- **63311-40:** Airmatic Pin edge tab adapter plate; Installation: Countersunk wood screws (#6 x 1/2")

ORDER #	DESCRIPTION	PKG.	UNIT
66528-40	AIRMATIC PIN BUMER	25	EACH
63311-40	ADAPTER PLATE	25	EACH

SMOVE® BUMPER & ACCESSORIES

SALICE



D006SNB



D008SNB



D066SN
D067SN

- D006SNB: Medium spring, for installation on middle of door.
- D008SNB: Strong spring, for installation on hinge side.
- D066SN: Frame adapter, used with face frame plates.
- D067SN: Frame adapter, used with "S" Series face frame hinges.

FINALLY - no more slamming!

- Smove eliminates noise and annoying vibrations to enhance the quality of your cabinets.

ORDER #	DESCRIPTION	FINISH	PKG.	UNIT
D006SNB	BUMPER, MEDIUM SPRING	BEIGE	250	EACH
D008SNB	BUMPER, STRONG SPRING	BEIGE	250	EACH
D066SNBN	FACE FRAME ADAPTER	BEIGE	500	EACH
D066SNQN	FACE FRAME ADAPTER	HONEY	500	EACH
D067SNBN	FACE FRAME ADAPTER	BEIGE	500	EACH
D067SNQN	FACE FRAME ADAPTER	HONEY	500	EACH

SALICE HINGE SPECIFICATIONS

Abbreviations chart:

- S = thickness of the cabinet side
- D = required door overlay
- T = max. door thickness
- K = drilling distance
- A = reveal
- L = gap between door and carcass
- H = height of the mounting plate

Mounting Types



Boring Pattern - Series 200 - Series S Face Frame

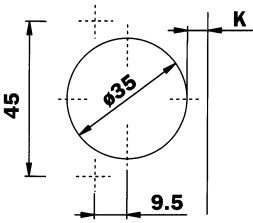
SALICE

Boring distance from the edge of the door:

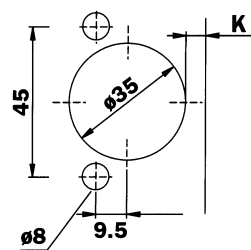
94°	3 to 8 mm
110°	3 to 6 mm
120°	3 to 6 mm
165°	3 to 8 mm

Recommended number of hinges per door.

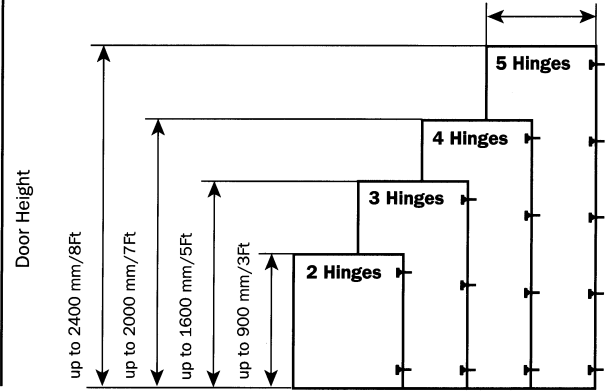
Maximum door weight	40 lb	60 lb
∅ 40 mm	20 lb	40 lb
∅ 35 mm	20 lb	60 lb
No. of hinges	2	3
		4
	Door width up to 600 mm/2 ft	



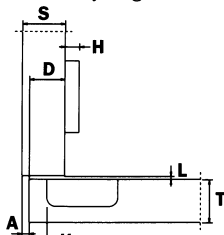
Screw-in



Knock-in
Rapido
Logica

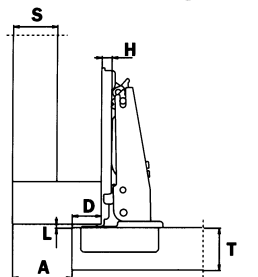


How to calculate your overlay:
Full overlay hinge.



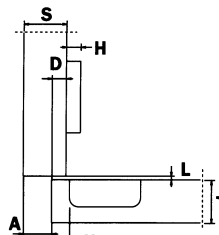
$$D = (15 + K) - H$$

crank "D"
1/2" Face frame hinge



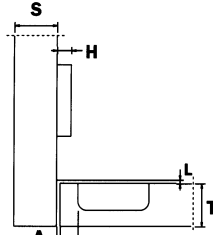
$$D = (10 + K) - H$$

Half overlay hinge



$$D = (6 + K) - H$$

Inset door hinge

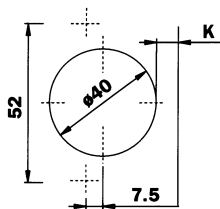


$$D = (-2 + K) - H$$

Boring Pattern - Series F

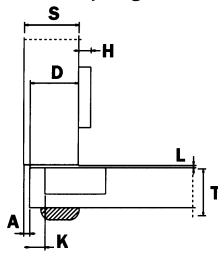
Boring distance from the edge
of the door:

94°	3 to 15 mm
-----	------------



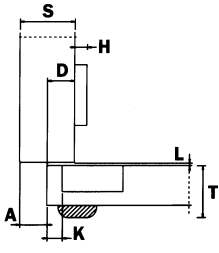
Screw-in

How to calculate your overlay:
Full overlay hinge



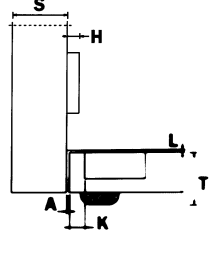
$$D = (19 + K) - H$$

Half overlay hinge



$$D = (8 + K) - H$$

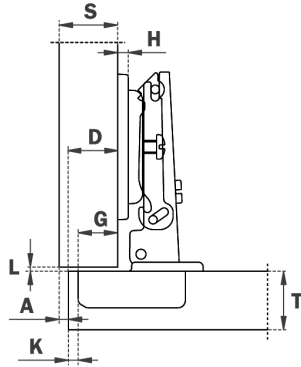
Inset door hinge



$$D = (-3 + K) - H$$

SALICE HINGE SPECIFICATIONS

Application with full overlay door.
Aplicación con puerta externa.



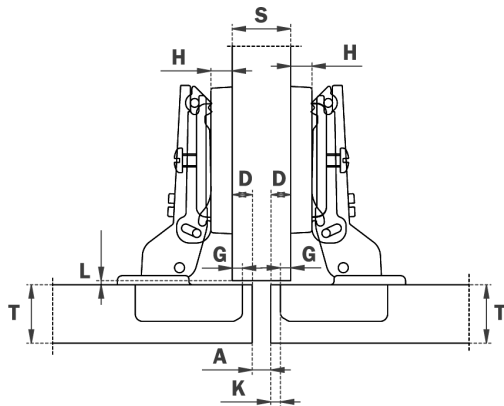
S = Thickness of the cabinet side
D = Required door overlay
T = Door thickness
K = Drilling distance
A = Reveal
L = Gap between door and carcass
H = Height of the mounting plate
G = Hinge constant

SALICE

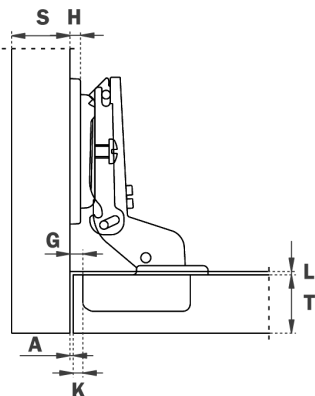
Whatever door overlay is required, you can select from our range the combination of both the type of hinge arm and the thickness of mounting plate necessary to solve your construction problem while avoiding the need to stock unnecessary components.

S = *Espesor del lateral*
D = *Cobertura de la puerta sobre el lateral*
T = *Espesor máx. de la puerta*
K = *Distancia entre el borde externo de la puerta y el agujero para la cazoleta de la bisagra*
A = *Parte no cubierta del lateral*
L = *Distancia interna entre puerta y frente externo del lateral*
H = *Altura de la base*
G = *Característica de la bisagra*

Application with half overlay door.
Aplicación con puertas dobles.



Application with inset door.
Aplicación con puerta interna.



S = Thickness of the cabinet side
T = Door thickness
K = Drilling distance
A = Reveal
L = Gap between internal face of door and internal cabinet elements (e.g. shelves, drawers, etc.)
H = Height of the mounting plate
G = Hinge constant

Whatever door overlay is required, you can select from our range the combination of both the type of hinge arm and the thickness of mounting plate necessary to solve your construction problem while avoiding the need to stock unnecessary components.

S = *Espesor del lateral*
T = *Espesor máx. de la puerta*
K = *Distancia entre el borde externo de la puerta y el agujero para la cazoleta de la bisagra*
A = *Parte no cubierta del lateral*
L = *Distancia interna entre puerta y elementos al interior del mueble (cajones, repisas, etc.)*
H = *Altura de la base*
G = *Característica de la bisagra*

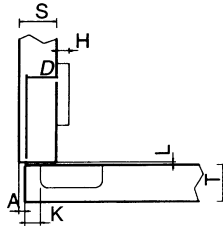
Cualquiera que sea la cobertura de la puerta sobre el lateral requerida, pueden contar con una amplia gama de brazos rectos, con codo y de alturas de bases, que les permiten obtener la construcción deseada, administrando de modo racional su almacén.

110° SERIES 200 HINGES - FULL OVERLAY

SALICE



$$H = 15 + K - (D)$$



- 35mm dia. x 11mm deep metal cup.
- Possible drilling distance on door (K): 3mm to 6mm.

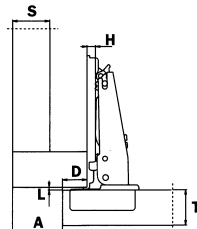
ORDER #	MOUNTING	DESCRIPTION	PKG.	UNIT
C2P 6A 99	SCREW-ON	SELF-CLOSE	300	EA
C2R 6A 99	DOWELED	SELF-CLOSE	300	EA
C27 6A 99	RAPIDO	SELF-CLOSE	300	EA

110° SERIES 200 HINGES - 1/2" OVERLAY - FACE FRAME

SALICE



crank "D"
1/2" Face frame hinge



$$D = (10 + K) - H$$

- 35mm dia. x 11mm deep metal cup.
- Possible drilling distance on door (K): 3mm to 6mm.

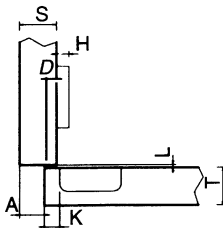
ORDER #	MOUNTING	DESCRIPTION	PKG.	UNIT
C2P 6D 99	SCREW-ON	SELF-CLOSE	300	EA
C2R 6D 99	DOWELED	SELF-CLOSE	300	EA

110° SERIES 200 HINGES - HALF OVERLAY

SALICE



$$H = 6 + K - (D)$$

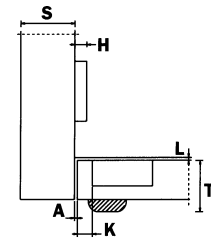


- 35mm dia. x 11mm deep metal cup.
- Possible drilling distance on door (K): 3mm to 6mm.

ORDER #	MOUNTING	DESCRIPTION	PKG.	UNIT
C2R 4G 99	DOWELED	FREE-SWING	300	EA
C2P 6G 99	SCREW-ON	SELF-CLOSE	300	EA
C2R 6G 99	DOWELED	SELF-CLOSE	300	EA

110° SERIES 200 HINGES - INSET

SALICE



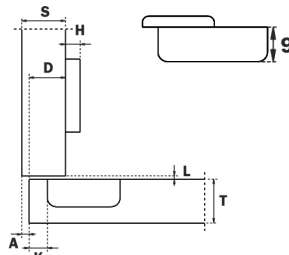
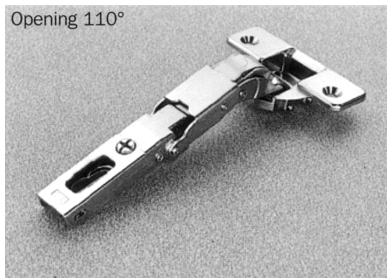
$$D = (-3 + K) - H$$

- 35mm dia. x 11mm deep metal cup.
- Possible drilling distance on door (K): 3mm to 6mm.

ORDER #	MOUNTING	DESCRIPTION	PKG.	UNIT
C2R 6P 99	DOWELED	SELF-CLOSE	300	EA

110° SERIES B HINGE - "SUPER HINGE" - (FOR SPECIAL DRILLING PROFILES)

SALICE



$$D = (1+K) - H$$

- Hinges for doors with special profiles & drilling requirements.
- 35mm dia. x 9mm deep metal cup.
- Possible drilling distance on door (K): 3mm to 18mm.

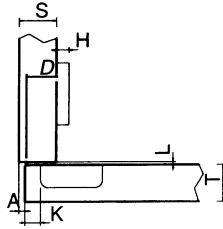
ORDER #	MOUNTING	DESCRIPTION	PKG.	UNIT
CBP 2A 99	SCREW-ON	SELF-CLOSE	150	EA

120° SERIES 200 HINGES - FULL OVERLAY

SALICE



$$H = 15 + K - (D)$$



- 35mm dia. x 11mm deep metal cup.
- Possible drilling distance on door (K): 3mm to 6 mm.

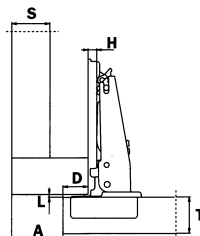
ORDER #	MOUNTING	DESCRIPTION	PKG.	UNIT
C2R 8A 99 XXD	DOWELED	FREE-SWING	100	EA
C2P 9A 99	SCREW-ON	SELF-CLOSE	300	EA
C2R 9A 99	DOWELED	SELF-CLOSE	300	EA
C27 9A 99	RAPIDO	SELF-CLOSE	300	EA
C2J 9A 99	LOGICA	SELF-CLOSE	300	EA

120° SERIES 200 HINGES - 1/2" OVERLAY - FACE FRAME

SALICE



crank "D"
1/2" Face frame hinge



$$D = (10 + K) - H$$

- This hinge will allow a max. DBE of 8mm which will allow doors with an edge detail that are less than 8mm.
- 35mm dia. x 11mm deep metal cup.
- Possible drilling distance on door (K): 3mm to 6mm.

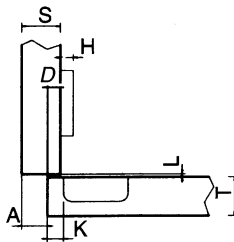
ORDER #	MOUNTING	DESCRIPTION	PKG.	UNIT
C2P 9D 99	SCREW-ON	SELF-CLOSE	300	EA
C2R 9D 99	DOWELED	SELF-CLOSE	300	EA
C2J 9D 99	LOGICA	SELF-CLOSE	300	EA

120° SERIES 200 HINGES - HALF OVERLAY

SALICE



$$H = 6 + K - (D)$$



- 35mm dia. x 11mm deep metal cup.
- Possible drilling distance on door (K): 3mm to 6mm.

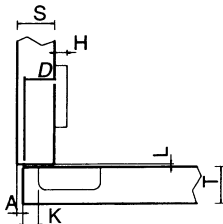
ORDER #	MOUNTING	DESCRIPTION	PKG.	UNIT
C2P 8G 99 XXD	SCREW-ON	FREE-SWING	100	EA
C2P 9G 99	SCREW-ON	SELF-CLOSE	300	EA
C2R 9G 99	DOWELED	SELF-CLOSE	300	EA
C2J 9G 99	LOGICA	SELF-CLOSE	300	EA

94° SERIES 200 DOOR HINGES - FULL OVERLAY

SALICE



$$H = 15 + K - (D)$$

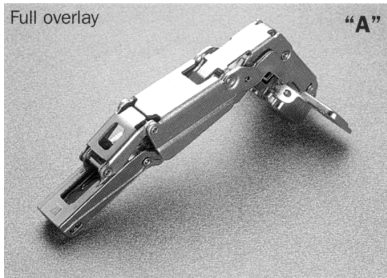


- 35mm dia. x 11mm deep die-cast cup.
- Possible drilling distance on door (K): 3mm to 8mm.
- Optional stop device limits hinge to 86° opening.

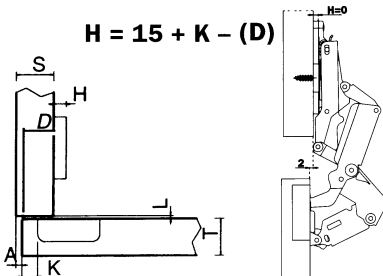
ORDER #	MOUNTING	DESCRIPTION	PKG.	UNIT
C2R 7A 99XXD	DOWELED	SELF-CLOSE	100	EA
S2A 637 XF		86° STOP DEVICE	500	EA

155° SERIES 200 HINGES - FULL OVERLAY (ZERO PROTRUSION)

SALICE



$$H = 15 + K - (D)$$

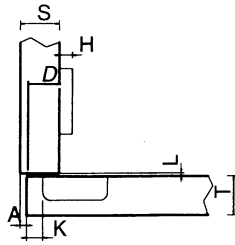


- For pull out shelf application, total door clearance (zero protrusion) begins at 90° of opening. Full overlay application only.
- Use with 0mm or 2mm mounting plates only.
- 35mm dia. x 11mm deep die-cast cup.

ORDER #	MOUNTING	DESCRIPTION	PKG.	UNIT
C2R MA 99	DOWELED	SELF-CLOSE	100	EA

165° SERIES 200 HINGES - FULL OVERLAY

$$H = 15 + K - (D)$$



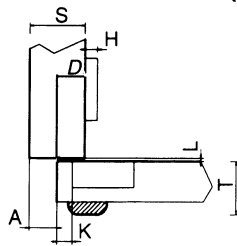
- Hinge with greater opening angle and reduced encumbrance.
- Max. door thickness 28 mm.
- 35mm dia. x 11mm deep die-cast cup.
- Possible drilling distance on door (K): 3mm to 8mm.

SALICE

ORDER #	MOUNTING	DESCRIPTION	PKG.	UNIT
C2P FA 99	SCREW-ON	SELF-CLOSE	100	EA
C2R EA 99	DOWELED	FREE-SWING	25	EA
C2R FA 99	DOWELED	SELF-CLOSE	100	EA
C27 FA 99	RAPIDO	SELF-CLOSE	100	EA

165° SERIES 200F HINGES - HALF OVERLAY

$$H = 8 + K - (D)$$



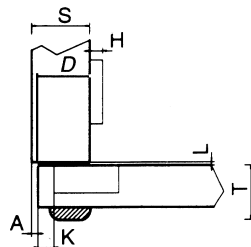
- Use with 3mm mounting plate.
- Hinge with greater opening angle and reduced encumbrance.
- 35mm dia. x 11 mm deep die-cast cup.
- Max. door thickness 28 mm.
- Possible drilling distance on door (K): 3mm to 8mm.

SALICE

ORDER #	MOUNTING	DESCRIPTION	PKG.	UNIT
C2R FG 99	DOWELED	SELF-CLOSE	100	EA

94° SERIES F "THICK DOOR" HINGES - FULL OVERLAY

$$H = 19 + K - (D)$$



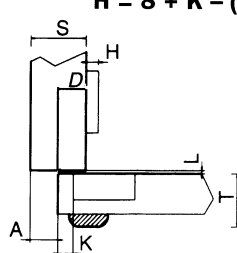
- For doors up to 1-1/2" & other special applications.
- Designed to solve unusual application problems such as heavy thick doors (inset up to 40mm) or overlays up to 34mm.
- This hinge is featured on some of the most popular pocket door systems on the market.
- 40mm dia. x 13mm deep die-cast cup.
- Possible drilling distance on door (K): 3mm to 15mm.

SALICE

ORDER #	MOUNTING	DESCRIPTION	PKG.	UNIT
CFA 7A 99	SCREW-ON	SELF-CLOSE	25	EA

94° SERIES F "THICK DOOR" HINGES - HALF OVERLAY

$$H = 8 + K - (D)$$



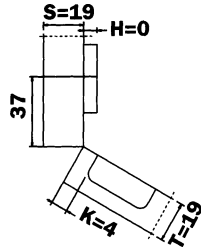
- For doors up to 1-1/2" and other special applications.
- Designed to solve unusual application problems such as heavy thick doors (inset up to 40mm) or overlays up to 34mm.
- This hinge is featured on some of the most popular pocket door systems on the market.
- 40mm dia. x 13mm deep die-cast cup.
- Possible drilling distance on door (K): 3mm to 15mm.

SALICE

ORDER #	MOUNTING	DESCRIPTION	PKG.	UNIT
CFA 7G 99	SCREW-ON	SELF-CLOSE	25	EA

SHS - One complete source for all of your finish hardware needs.

SERIES 200 +30° CORNER HINGE

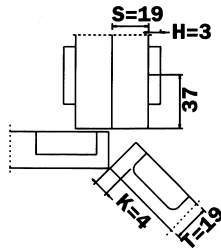


SALICE

- Use with 0mm mounting plates.
- 35mm dia. x 11mm deep metal cup.

ORDER #	MOUNTING	DESCRIPTION	PKG.	UNIT
C2R 7E 99 XXD	DOWELED	SELF-CLOSE	25	EA

SERIES 200 +45° CORNER HINGE

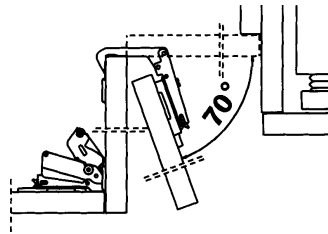


SALICE

- 35mm dia. x 11mm deep metal cup.
- Possible drilling distance on door (K): 3mm to 8mm.
- 3/4" side panel = 3mm mounting plate.
- 5/8" side panel = 6mm mounting plate.

ORDER #	MOUNTING	DESCRIPTION	PKG.	UNIT
C2R 7M 99 AC	DOWELED	SELF-CLOSE	100	EA

SERIES 200 PIECUT CORNER HINGE

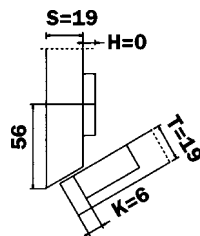


SALICE

- 35mm dia. x 11mm deep die-cast cup.
- Drilling distance (K) = 4mm (fixed).
- Use 6mm plate for 5/8" door, 3mm plate for 3/4" door.
- Max. door thickness with square edges: 23mm.
- Inquire for assembly information.

ORDER #	MOUNTING	DESCRIPTION	PKG.	UNIT
C2P YA 99	SCREW-ON	SELF-CLOSE	100	EA
C2R YA 99	DOWELED	SELF-CLOSE	100	EA
C27 YA 99 XXD	RAPIDO	SELF-CLOSE	100	EA

SERIES 200 NEGATIVE 30° ANGLE HINGE

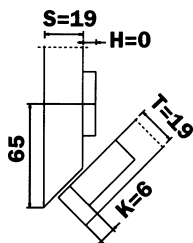


SALICE

- Use with 0mm mounting plates.
- 35mm dia. x 11mm die-cast cup.
- Max. door thickness 28mm.
- Possible drilling distance on door (K): 3mm to 6mm.

ORDER #	MOUNTING	DESCRIPTION	PKG.	UNIT
C2R 7W 99	DOWELED	SELF-CLOSE	100	EA

SERIES 200 NEGATIVE 45° ANGLE HINGE

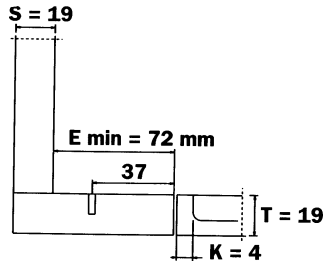
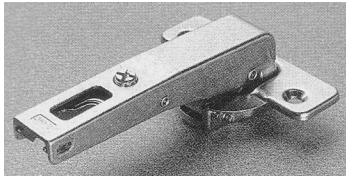


SALICE

- Use with 0mm mounting plates.
- 35mm dia. x 11mm die-cast cup.
- Max. door thickness 28mm.
- Possible drilling distance on door (K): 3mm to 6mm.

ORDER #	MOUNTING	DESCRIPTION	PKG.	UNIT
C2R 7H 99	DOWELED	SELF-CLOSE	100	EA

SERIES 200 BLIND CORNER HINGE

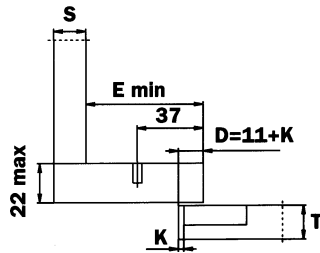


SALICE

- For 3/4" thick doors, use with 3mm plates.
- 11mm deep metal cup.
- Possible drilling distance on door (K): 3mm to 8mm.

ORDER #	MOUNTING	DESCRIPTION	PKG.	UNIT
C2R 7N 99 AC	DOWELED	SELF-CLOSE	100	EA

SERIES 200 BLIND CORNER OVERLAY HINGE



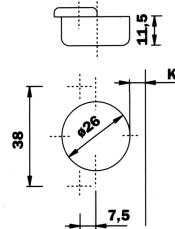
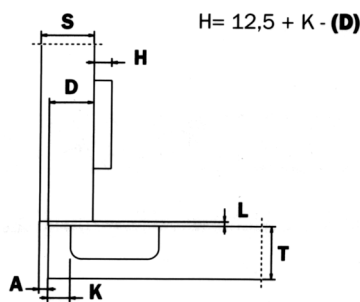
SALICE

- For 3/4" thick doors, use with 3mm plates.
- 11mm deep metal cup.
- Possible drilling distance on door (K): 3mm to 8mm.

ORDER #	MOUNTING	DESCRIPTION	PKG.	UNIT
C2R 6N 99 AM XXD	DOWELED	SELF-CLOSE	25	EA

Manufacturer catalogs available upon request.
Please call us for more information.

94° SERIES 400 "MINI" HINGES - FULL OVERLAY

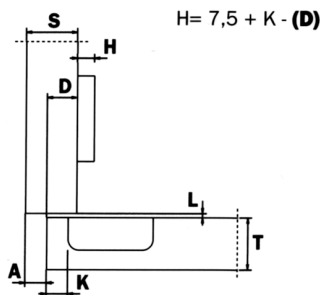


SALICE

- Compact, very strong mini hinges.
- 26mm cup diameter; 11.5mm deep metal cup.
- Possible drilling distance on the door (K): 3 to 8 mm.
- Compatible with all traditional Series 200 and all DOMI® snap-on mounting plates.

ORDER #	MOUNTING	DESCRIPTION	PKG.	UNIT
C4A 7A 99	SCREW-ON	SELF-CLOSE	300	EA

94° SERIES 400 "MINI" HINGES - 1/2" OVERLAY

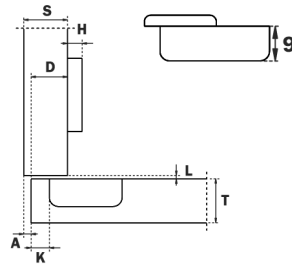
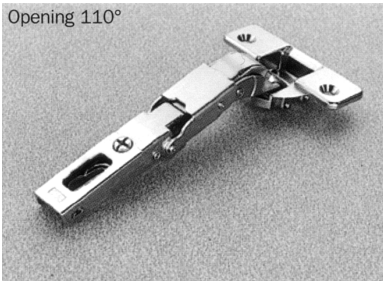


SALICE

- Same boring pattern as above.
- Compact, very strong mini hinges.
- 26mm cup diameter; 11.5mm deep metal cup.
- Possible drilling distance on the door (K): 3 to 8 mm.
- Compatible with all traditional Series 200 and all DOMI® snap-on mounting plates.

ORDER #	MOUNTING	DESCRIPTION	PKG.	UNIT
C4A 7D 99	SCREW-ON	SELF-CLOSE	300	EA

110° SERIES B HINGE - "SUPER HINGE" - (FOR SPECIAL DRILLING PROFILES)



$$D = (1+K) - H$$

SALICE

- Hinges for doors with special profiles & drilling requirements.
- 35mm dia. x 9mm deep metal cup.
- Possible drilling distance on door (K): 3mm to 18mm.

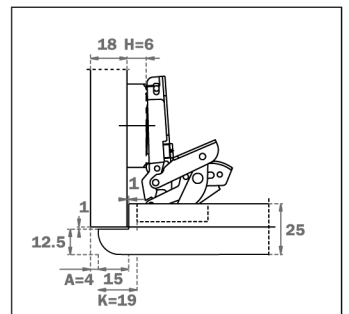
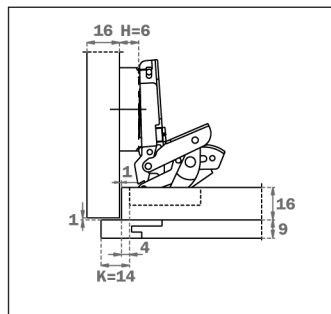
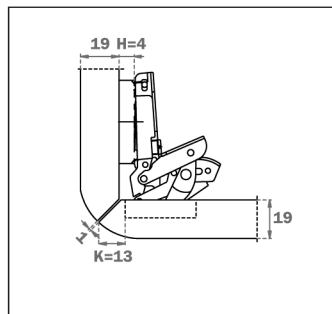
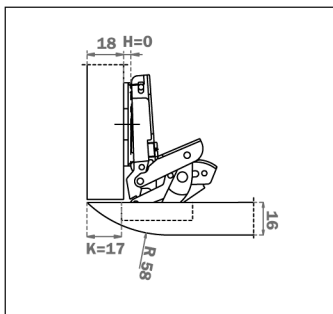
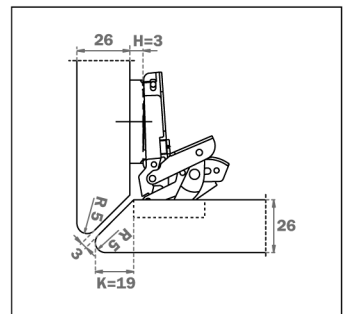
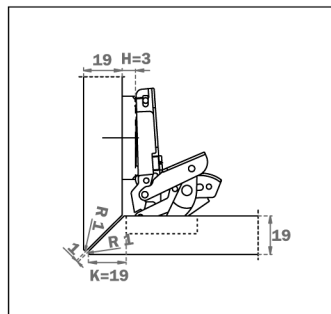
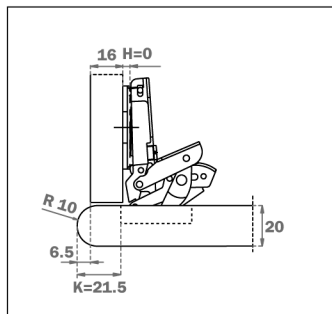
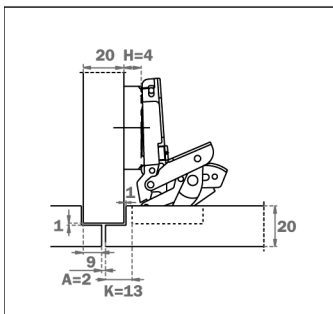
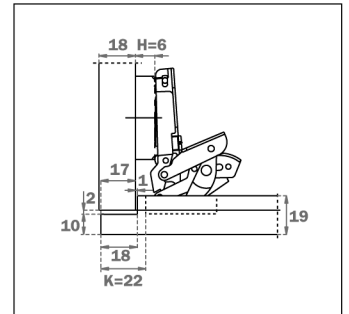
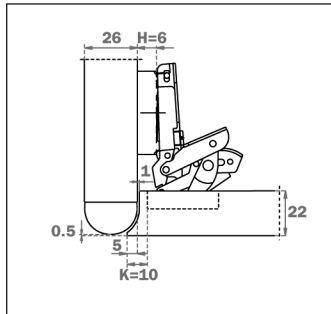
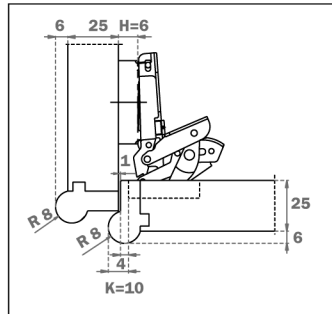
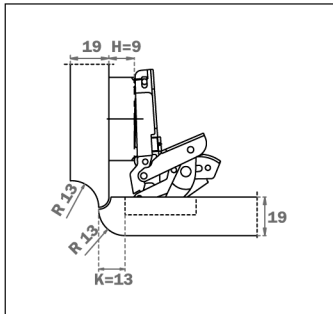
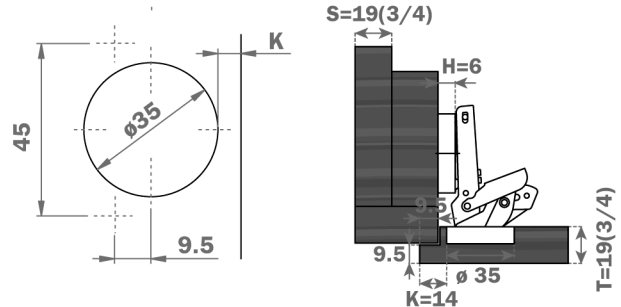
ORDER #	MOUNTING	DESCRIPTION	PKG.	UNIT
CBP 2A 99	SCREW-ON	SELF-CLOSE	150	EA

Abbreviations chart:

- S** = thickness of the cabinet side
- D** = required door overlay
- T** = max. door thickness
- K** = drilling distance
- A** = reveal
- L** = gap between door and carcass
- H** = height of the mounting plate

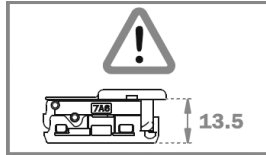
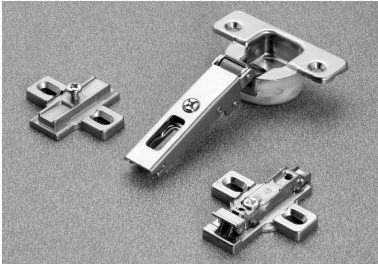
Abreviaciones

- S** = Espesor del lateral
- D** = Cobertura de la puerta sobre el lateral
- T** = Espesor máx. de la puerta
- K** = Distancia entre el borde externo de la puerta y el agujero para la cazoleta de la bisagra
- A** = Parte no cubierta del lateral
- L** = Distancia interna entre puerta y frente externo del lateral
- H** = Altura de la base



"SILENTIA" HINGE SYSTEM

SALICE

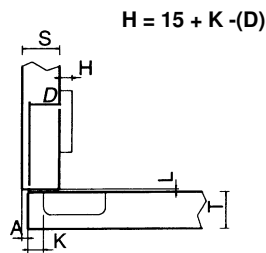


- For 16mm thick doors.
- 13.5mm deep cup.

- **Silentia** - The hinges with integrated decelerating closing action, technically revolutionary and aesthetically leading-edge.
- Decelerating system is hidden from view and fully integrated into the hinge components; it does not alter the cabinet design.
- Silentia hinges retain the same features and are compatible with all traditional Series 200 and all DOMI® snap-on mounting plates and have the same adjustment features and functional applications.

110° SERIES 700 "SILENTIA" - FULL OVERLAY

SALICE

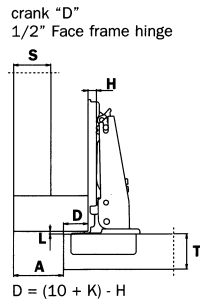


- 35mm dia. x 13.5mm deep metal cup.
- Possible drilling distance on door (K): 3mm to 6mm.
- For thick doors 16 mm min.

ORDER #	MOUNTING	DESCRIPTION	PKG.	UNIT
C7R 6A D9	DOWELED	SELF-CLOSE	300	EA
C77 6A D9	RAPIDO	SELF-CLOSE	300	EA
TOMDPTG	SILENTIA DEPTH GAUGE		1	EA
TDEPTHSTP	SILENTIA DEPTH STOP SET		1	EA

110° SERIES 700 "SILENTIA" - 1/2" OVERLAY

SALICE

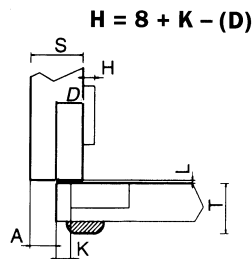


- 35mm dia. x 13.5mm deep metal cup.
- Possible drilling distance on door (K): 3mm to 6mm.
- For thick doors 16 mm min.

ORDER #	MOUNTING	DESCRIPTION	PKG.	UNIT
C7R 6D D9	DOWELED	SELF-CLOSE	300	EA

110° SERIES 700 "SILENTIA" - HALF OVERLAY

SALICE

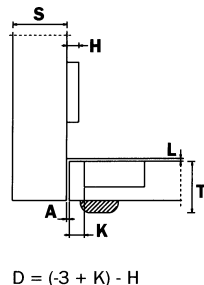


- 35mm dia. x 13.5mm deep metal cup.
- Possible drilling distance on door (K): 3mm to 6mm.
- For thick doors 16 mm min.

ORDER #	MOUNTING	DESCRIPTION	PKG.	UNIT
C7R 6G D9	DOWELED	SELF-CLOSE	300	EA

110° SERIES 700 "SILENTIA" - INSET

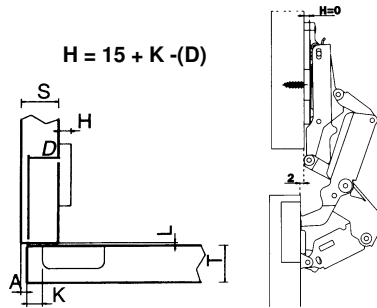
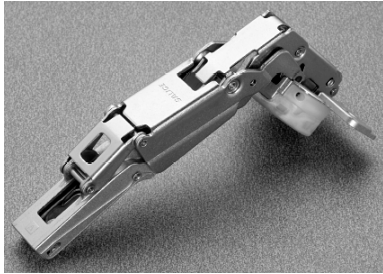
SALICE



- 35mm dia. x 13.5mm deep metal cup.
- Possible drilling distance on door (K): 3mm to 6mm.
- For thick doors 16 mm min.

ORDER #	MOUNTING	DESCRIPTION	PKG.	UNIT
C7R 6P D9	DOWELED	SELF-CLOSE	300	EA

155° SERIES 200 "SILENTIA" - FULL OVERLAY (ZERO PROTRUSION)

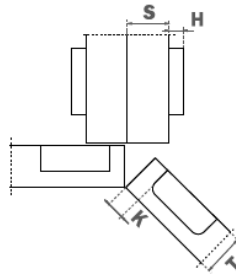


SALICE

- For pull out shelf application, total door clearance (zero protrusion) begins at 90° of opening. Full overlay application only.
- Use with 0mm or 2mm mounting plates only.
- 35mm dia. x 13.5mm deep die-cast cup.
- For thick doors 16 mm min.

ORDER #	MOUNTING	DESCRIPTION	PKG.	UNIT
C2R MA D9	DOWELED	SELF-CLOSE	100	EA

SERIES 700 "SILENTIA" +45° CORNER HINGE

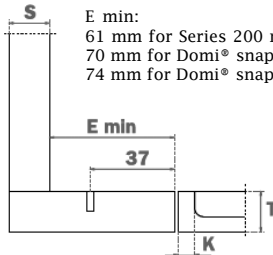


SALICE

- For wooden doors with positive angled assembly.
- Possible drilling distance on door (K): from 3 to 6 mm.
- 35mm dia. x 13.5mm deep die-cast cup.
- For thick doors 16 mm min.

ORDER #	MOUNTING	DESCRIPTION	PKG.	UNIT
C7R 6M D9 AC	DOWELED	SELF-CLOSE	100	EA

SERIES 700 "SILENTIA" BLIND CORNER HINGE



SALICE

- Possible drilling distance on door (K): from 3 to 6 mm.
- 35mm dia. x 13.5mm deep die-cast cup.
- For thick doors 16 mm min.

ORDER #	MOUNTING	DESCRIPTION	PKG.	UNIT
C7R 6N D9 AC	DOWELED	SELF-CLOSE	100	EA

HINGE MACHINES & ACCESSORIES

SALICE

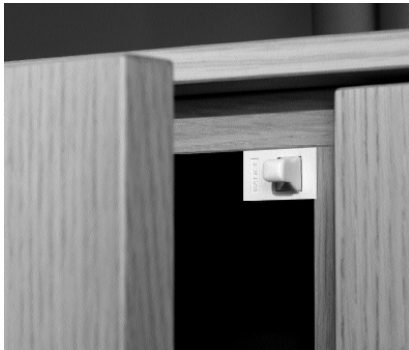
- **S2XX 83 A3:** Hinge arm cover cap for use with all Salice hinges.
- **TK RAM 110FF:** for all hinges except 165°.
- **TG RAM & TB RAM 165:** for 165° hinges only.
- **TOMICMAN:** Includes: 1ea table; 2ea tilt stops; 1ea 35mm RH bits; 2ea 8mm LH bits; 1ea TKRAM110FF insertion ram.
- **TOMIC110:** Includes: 1ea table; 4ea tilt stops; 1ea 35mm RH bits; 2ea 8mm LH bits; 1ea TKRAM110FF insertion ram.
- **TOMIC216/236:** Single phase; Includes: 1ea table; 4ea tilt stops; 1ea 35mm RH bits; 2ea 8mm LH bits; 1ea TKRAM110FF insertion ram.
- **TOMINI110:** Economic pneumatic option; portable; 110V, 1phase; always drills the same depth in any thickness without adjustment. Includes: 1.5HP motor; 3 spindle gear box; center fence; table; 2 tilt stops; insertion RAM; Set of drill bits; tool kit.

SILENTIA ACCESSORIES

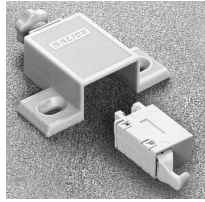
- **D7A6ACYSN:** The depth gauge can be used to VERIFY the correct drilling depth for the 700 Series Silentia hinges. The device is a simple hand-held gauge with pre-set 13.5mm depth & 35mm diam.
- **TDEPTHSTP:** Simplify the adaption of Salice's existing insertion machines to the 13.5mm drilling required by the 700 Series Silentia.
- **S2XX 86 AT:** Spacer for hinges with 94°, 105° & 110° openings to reduce cup drilling depths.

ORDER #	DESCRIPTION	PKG.	UNIT
S2XX 83 A3	HINGE COVER CAP - BLACK	300	EACH
TK RAM 110FF	BLUM CONVERSION RAM	1	EACH
TB RAM 165	BLUM RAM FOR 165° HINGES	1	EACH
TG RAM 165	GANNOMAT RAM FOR 165° HINGES	1	EACH
TOMICMAN	OMAL MANUAL HINGE MACHINE 110V	1	EACH
TOMIC110	OMAL PNEUMATIC HINGE MACHINE 110V	1	EACH
TOMIC216	OMAL PNEUMATIC HINGE MACHINE 220V	1	EACH
TOMIC236	OMAL PNEUMATIC HINGE MACHINE 220V	1	EACH
TOMINI110	OMAL ECONO PNEUMATIC HINGE MACHINE 110V	1	EACH
D7A6ACYSN	SILENTIA DEPTH GAUGE	1	EACH
TDEPTHSTP	SILENTIA DEPTH STOP SET	1	EACH
S2XX 86 AT	1.2MM SILENTIA SPACER	150	EACH

"PUSH" HINGE SYSTEM



SALICE



DP4SNB



DP29SNB



DP29SNBR



DP50SNO

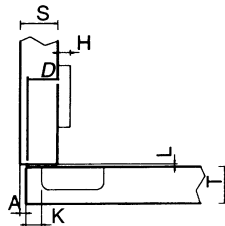
- The new PUSH hinge system is the first of its kind featuring a self-opening.
- The hinge incorporates a reverse type spring action causing the door to swing fully open when one presses on the face of the door.
- When in the closed position, the door is held in position by a hook shaped catch which functions similar to that of a touch latch.
- Designed to function without the need for visible decorative pulls and knobs, the end result is a very clean looking cabinet without the need for decorative hardware.
- **DP4SNB:** Adjustable push latch, use with DP29SNB.
- **DP29SNB:** Knock-in catch, use with DP4SNB.
- **DP29SNBR:** Surface mount catch, use with DP4SNB.
- **DP50SNO:** Alignment tool for knock-in catch.
- **T15026:** Bosch 26mm drill bit for knock-in catch (or for Salice mini hinge cup boring).

ORDER #	DESCRIPTION	PKG.	UNIT
DP4SNB	BEIGE "PUSH" LATCH	300	EACH
DP29SNB	BEIGE "PUSH" KNOCK-IN CATCH	150	EACH
DP29SNBR	BEIGE "PUSH" SURFACE MOUNT CATCH	150	EACH
DP50SNO	"PUSH" ALIGNMENT TOOL	1	EACH
T15026	26MM DRILL BIT - CARBIDE	1	EACH

I 10° SERIES 200 "PUSH" HINGES - FULL OVERLAY



$$H = 15 + K - (D)$$

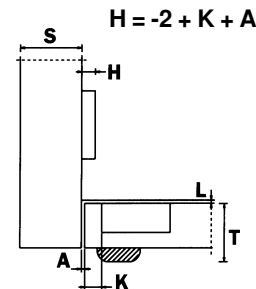


SALICE

- 35mm dia. x 11mm deep metal cup.
- Possible drilling distance on door (K): 3mm to 6mm.

ORDER #	MOUNTING	DESCRIPTION	PKG.	UNIT
C2R PA 99	DOWELED	PUSH	300	EA

I 10° SERIES 200 "PUSH" HINGES - INSET



$$H = -2 + K + A$$

SALICE

- 35mm dia. x 11mm deep metal cup.
- Possible drilling distance on door (K): 3mm to 6mm.

ORDER #	MOUNTING	DESCRIPTION	PKG.	UNIT
C2R PP 99	DOWELED	PUSH	300	EA

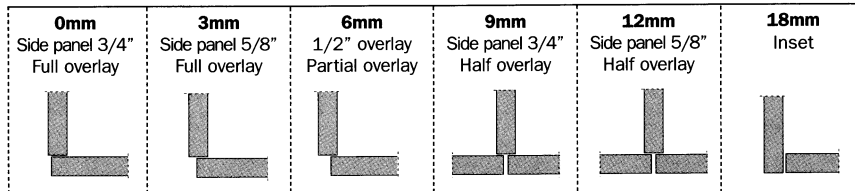
New items are always being added.
Please call us if you need an item not listed.

SERIES 200/F DOMI® CLIP-ON MOUNTING PLATES

SALICE

- 37 x 32mm drilling.
- Now every Salice hinge can be a slide or clip-on hinge depending on the mounting plate you use.
- The Salice hinge system addresses every conceivable door application from blind corner hinges to extra-thick door hinges.
- All hinges have vertical, horizontal & depth independent screw adjustment.
- All hinges feature "0" gap occurring between the front edge of the end panel and the back of the door when adjusting the side-to-side screw.
- Less time - Less inventory - Less labor.

Based on using full overlay hinges



DOMI® CLIP-ON PLATES - SCREW-ON, WOOD SCREW

SALICE



- Steel.
- 3-way adjustment.
- 37 x 32 Screw-on.
- Use with 200/F Series Salice hinges.

ORDER #	HEIGHT	PKG.	UNIT
BAV 3L 09F	0 MM	300	EA
BAV 3L 39F	3 MM	300	EA

DOMI® CLIP-ON PLATES - SCREW-ON, WOOD SCREW

SALICE



- Die cast.
- 3-way adjustment.
- 37x32 - Screw-on.
- Use with 200/F Series Salice hinges.

ORDER #	HEIGHT	PKG.	UNIT
BAV 3E 99F	9 MM	300	EA
BAV 3E C9F	12 MM	300	EA
BAV 3E V9F	18 MM	50	EA

DOMI® AAR CLIP-ON PLATES - WOOD SCREW MOUNT

SALICE



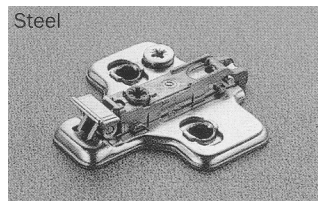
Die-cast

- Die-cast.
- Automatic Adjustment Response feature: a quick turn of the frontal adjustment cam or vertical adjustment cam automatically positions the hinge - eliminating the need for manual positioning.
- 37 x 32 - Screw-on.
- Use with 200/F Series Salice hinges.

ORDER #	HEIGHT	PKG.	UNIT
BAR 3R 09	0 MM	300	EA
BAR 3R 29	2 MM	300	EA
BAR 3R 39	3 MM	300	EA
BAR 3R 69	6 MM	300	EA

DOMI® AAR CLIP-ON PLATES - WOOD SCREW MOUNT

SALICE

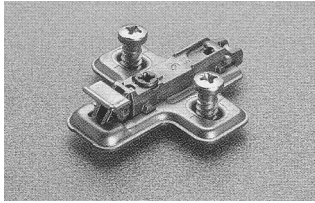


Steel

- Steel.
- Automatic Adjustment Response feature: a quick turn of the frontal adjustment cam or vertical adjustment cam automatically positions the hinge - eliminating the need for manual positioning.
- 37 x 32 - Screw-In.
- Use with 200/F Series Salice hinges.

ORDER #	HEIGHT	PKG.	UNIT
BAR 3L 09F	0 MM	300	EA

DOMI® CLIP-ON PLATES - EURO SCREW PRE-MOUNTED



SALICE

- 3-way adjustment.
- Steel.
- 37 x 32 Euro screw-on, pre-inserted.
- Use with 200/F Series Salice hinges.

ORDER #	HEIGHT	PKG.	UNIT
BAV GL 09F/16	0 MM	300	EA
BAV GL 39F/16	3 MM	300	EA

DOMI® CLIP-ON PLATES - EURO SCREW PRE-MOUNTED

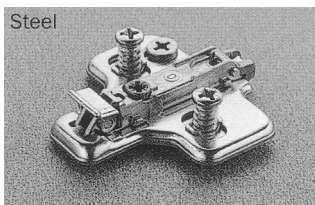


SALICE

- Die cast.
- 3-way adjustment.
- 37x32 - Screw-on.
- Use with 200/F Series Salice hinges.

ORDER #	HEIGHT	PKG.	UNIT
BAV GE 99F	9 MM	300	EA
BAV GE C9F	12 MM	300	EA
BAV GE V9F/16	18 MM	50	EA

DOMI® AAR CLIP-ON PLATES - EURO SCREW PRE-MOUNTED



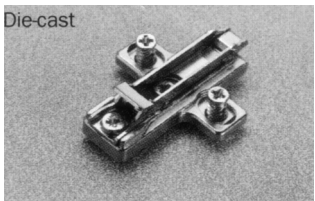
Steel

- Steel
- Automatic Adjustment Response feature: a quick turn of the frontal adjustment cam or vertical adjustment cam automatically positions the hinge - eliminating the need for manual positioning.
- 37 x 32 - Screw-In. Euro screw pre-mounted.
- Use with 200/F Series Salice hinges.

SALICE

ORDER #	HEIGHT	PKG.	UNIT
BAR GL 09F/16	0 MM	300	EA
BAR GL 39F/16	3 MM	300	EA

DOMI® AAR CLIP-ON PLATES - EURO SCREW PRE-MOUNTED



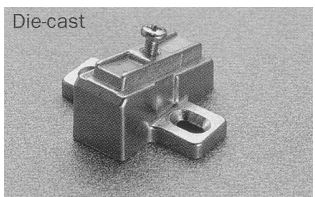
Die-cast

- Die-Cast.
- Automatic Adjustment Response feature: a quick turn of the frontal adjustment cam or vertical adjustment cam automatically positions the hinge - eliminating the need for manual positioning.
- 37 x 32 - Screw-In. Euro screw pre-mounted.
- Use with 200/F Series Salice hinges.

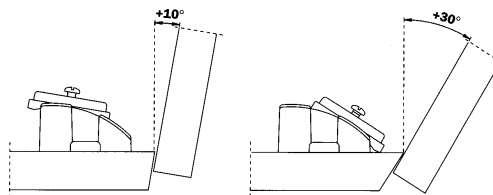
SALICE

ORDER #	HEIGHT	PKG.	UNIT
BAR GR 09/16	0 MM	300	EACH
BAR GR 29/16	2 MM	300	EA
BAR GR 39/16	3 MM	300	EA
BAR GR 69/16	6 MM	300	EA

SERIES 200/F ANGLED MOUNTING PLATES - SLIDE-ON



Die-cast

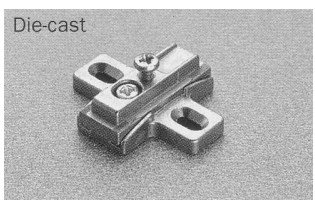


- Variable mounting plates for angled assembly from +10° to +30° (and intermediate degrees).
- Die-cast mounting plates.

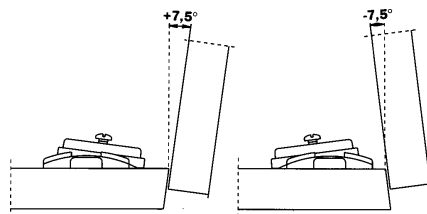
SALICE

ORDER #	APPLICATION	PKG.	UNIT
B2V 3B W9S/15	ANGLED ASSEMBLY	25	EACH

SERIES 200/F ANGLED MOUNTING PLATES - SLIDE-ON



Die-cast



- Variable mounting plates for angled assembly from -7.5° to +7.5° (and intermediate degrees).
- Die-cast mounting plates.

SALICE

ORDER #	APPLICATION	PKG.	UNIT
B2V 3B W9R/15	ANGLED ASSEMBLY	25	EACH

Decorative Hardware

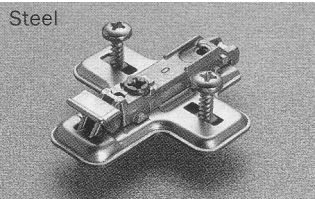
Hinges

European Hinges

Cabinet Organizers

Drawer Slides

DOMI® CLIP-ON PLATES - 5MM EXPANSION DOWELS



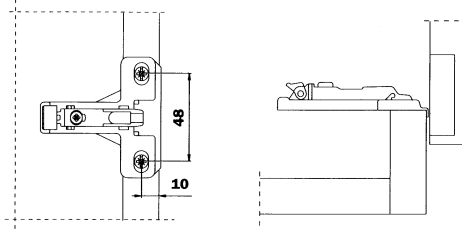
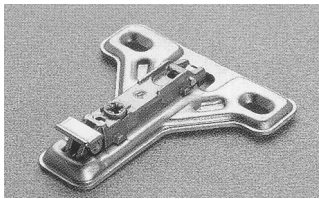
Steel

- 3-way adjustment.
- Steel.
- 37 x 32 - Screw-on.
- Use with 200/F Series Salice hinges.

SALICE

ORDER #	HEIGHT	PKG.	UNIT
BAV 4L 09F/16	0 MM	300	EA

DOMI® CLIP-ON FACE FRAME PLATES - SCREW-ON, WOOD SCREW



- Steel
- Clip on.
- Double cam - Depth and vertical adjustment.

SALICE

ORDER #	HEIGHT	PKG.	UNIT
BAU 3L 19	1 MM	300	EACH
BAU 3L 49	4 MM	300	EACH

DOMI® CLIP-ON FACE FRAME PLATES - SCREW-ON, WOOD SCREW - DOUBLE CAM



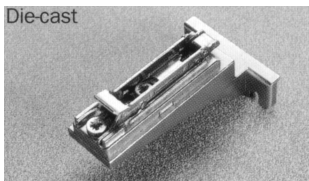
Die-cast

- Die-cast.
- Clip on.
- Depth & vertical adjustment.

SALICE

ORDER #	HEIGHT	PKG.	UNIT
BAU 3R 19	1 MM	300	EACH
BAU 3R 49	4 MM	300	EACH

INSET FACE FRAME PLATE - SCREW-ON, WOOD SCREW - DOUBLE CAM



Die-cast

- Die-cast.
- Clip on.
- Depth & vertical adjustment.
- Use with 1/2" overlay (D) hinge & a 4mm DBE or 1/2 overlay (G) hinge and a 5.5mm DBE.

SALICE

ORDER #	HEIGHT	PKG.	UNIT
BAL 3R 59	5 MM	300	EACH

HINGE PLATE & DOOR CENTERING GUIDE

SCHEMATIC DIAGRAMS

EZ-Mount
Hardware Mounting Systems

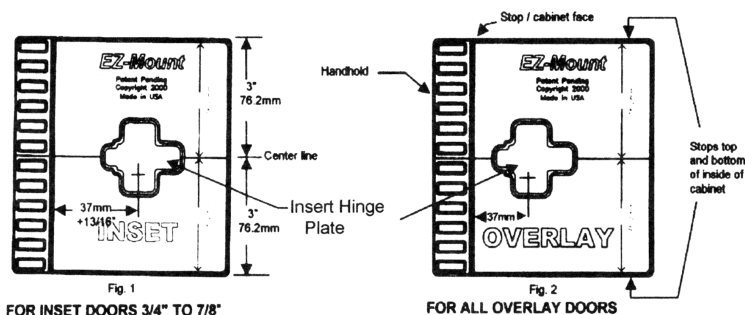


Fig 1
FOR INSET DOORS 3/4" TO 7/8"

Fig 2
FOR ALL OVERLAY DOORS

- EZ-Mount hinge plate guide assures you of an accurate 3" (76.2mm) center from inside top and bottom of cabinet.
- For use with Salice® Hinge plates BAR3R09 & BAR3R69

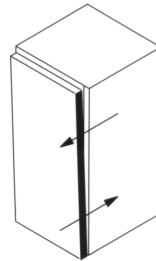
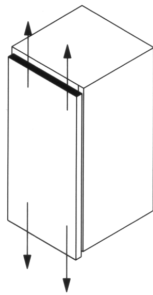
ORDER #	DESCRIPTION	PKG.	UNIT
TZT MPLT BAR	MOUNTING JIG	1	EACH



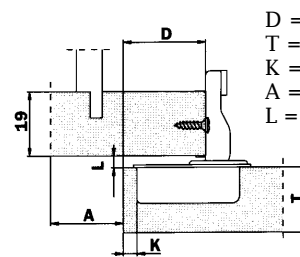
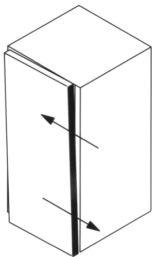
SERIES S - "EXCENTHREE" FACE FRAME HINGES

Height adjustment $7/64"$ (± 2.5 mm)

Depth adjustment by eccentric cam $1/64"$ (-0.5 mm) $7/64"$ ($+2.5$ mm)



Side adjustment by eccentric cam $1/16"$ (± 1.5 mm)



D = required door overlay
 T = max. door thickness
 K = drilling distance
 A = reveal
 L = gap between door & frame

SALICE



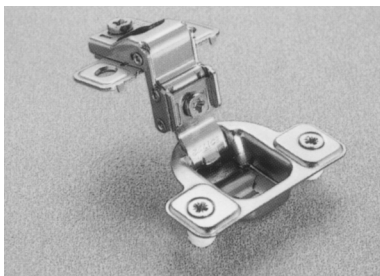
- Stamped steel.
- Self-closing.
- 35mm dia. x 11mm deep cup.
- 106° opening.
- Zero door protrusion.
- 3-way one-piece cam adjustable.
- Use with #6x5/8" flat head screws (sold separately).
- K fixed at 2.5mm (3/32").
- L = 4.6mm
- A = 8.3mm for 3/4" square edge door at 90°

CSR3799XR	CSR3699XR	CSR3599XR	CSR3499XR
$1/2"$ (12.7) 11.7	$9/16"$ (14.28) 10	$5/8"$ (15.875) 10	$3/4"$ (19.05) 10

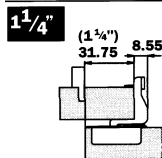
ORDER #	OVERLAY	MOUNTING	PKG.	UNIT
CSP 37 99XR	1/2"	SCREW-ON	300	EA
CSR 37 99XR	1/2"	DOWELED	300	EA
CSP 35 99XR	5/8"	SCREW-ON	300	EA
CSR 35 99XR	5/8"	DOWELED	300	EA
CSP 34 99XR	3/4"	SCREW-ON	300	EA
CSR 34 99XR	3/4"	DOWELED	300	EA

SERIES S - "EXCENTHREE" FACE FRAME HINGES

1-1/4" OVERLAY



CSR3A99PR



- Stamped steel; Self-closing.
- 35mm dia. x 12mm deep cup.
- 106° opening.
- Zero door protrusion.
- 3-way one-piece cam adjustable.
- Use with #6x5/8" flat head screws (sold separately).
- K fixed at 2.5mm (3/32").
- L = 4.6mm; A = 5.5mm for 3/4" square edge door at 90°
- NEW - NR Function: Reduced turning radius of 5mm (3/16); Cup Depth = 11mm (7/16")

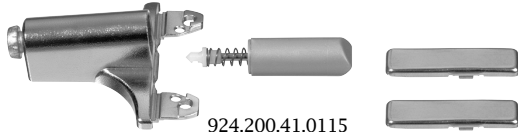
SALICE

ORDER #	OVERLAY	MOUNTING	PKG.	UNIT
CSP 3A 99NR	1-1/4"	SCREW-ON	300	EA
CSR 3A 99NR	1-1/4"	DOWELED	300	EA

SOFT-CLOSE® BUMPER SETS



924.200.40.0115



924.200.41.0115



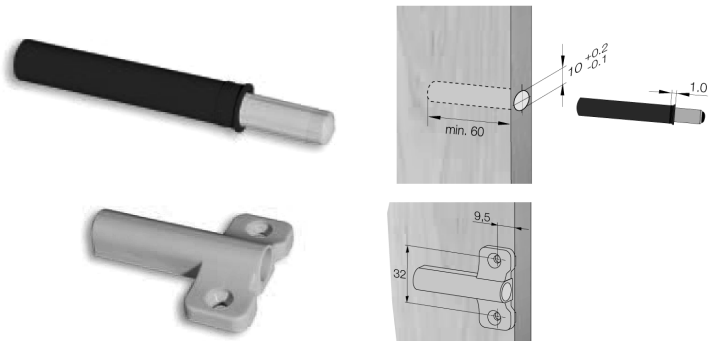
924.200.39.0215

924.200.39.0215 for use with CS/CST65 hinges only

- **924.200.40.0115:** For Grass CS04, CS05, CS22 & CS29 hinges. Includes: 1 soft-close CS adapter w/pre-mounted soft-close; 1 hinge cup cover cap CS; 2 hinge arm cover caps.
- **924.200.41.0115:** Suitable for Grass Nexis Impresso hinges. Includes: 1 soft-close adapter; 1 soft-close CST damper; 2 hinge arm cover caps.
- **924.200.39.0215:** For Grass CS65 and Nexis Impresso 170° hinges. Includes: 1 soft-close adapter with premounted soft-close.

ORDER #	DESCRIPTION	PKG.	UNIT
924.200.40.0115	CS SOFT-CLOSE SET	125	SET
924.200.41.0115	IMPRESSO SOFT-CLOSE SET	125	SET
924.200.39.0215	CS/170° SOFT CLOSE	125	SET

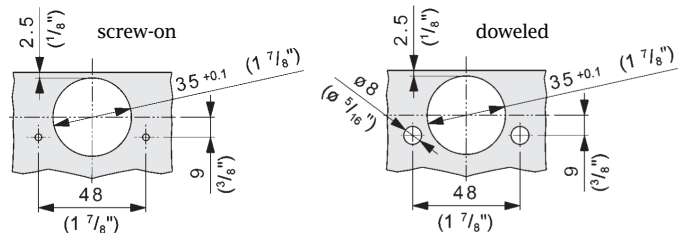
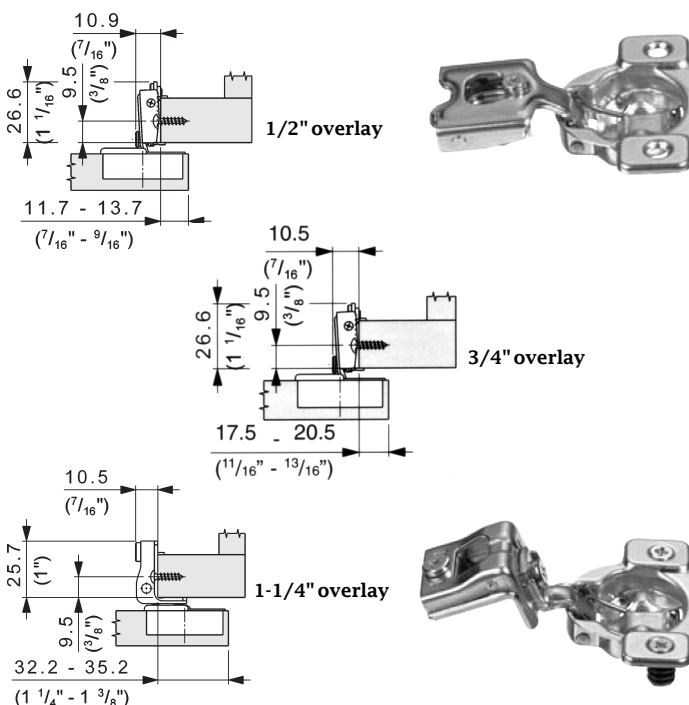
AIRMATIC PIN CYLINDER & ADAPTER PLATE



- **66528-40:** Installation: Drill hole in front edge of cabinet (Ø 10mm x 60mm)
- **63311-40:** Airmatic Pin edge tab adapter plate; Installation: Countersunk wood screws (#6 x 1/2")

ORDER #	DESCRIPTION	PKG.	UNIT
66528-40	AIRMATIC PIN BUMER	25	EACH
63311-40	ADAPTER PLATE	25	EACH

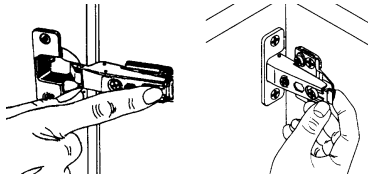
ACCI80 108° FACE FRAME HINGES



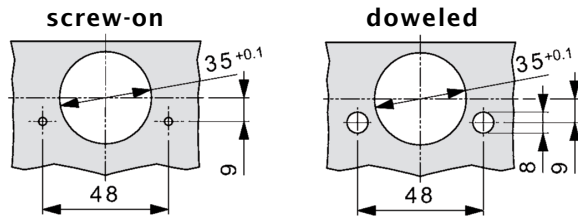
- 3-D adjustment.
- All steel.
- Shallow cup, 10.5mm; Mepla-Alfit 48/9 Boring pattern.
- Self-closing.
- Wrap-around face frame mounting.
- For door thicknesses from 12.5mm (1/2") to 19mm (3/4").
- Overlay adjustment: +/- 2mm (1-16").
- Height adjustment: + 2.5mm (1/8") / - .5 mm(1-32").

ORDER #	OVERLAY	MOUNTING	PKG.	UNIT
03000-15	1/2"	SCREW-ON	300	EACH
02999-15	1/2"	DOWELED	300	EACH
02714-15	3/4"	SCREW-ON	300	EACH
02715-15	3/4"	DOWELED	300	EACH
02996-15	1-1/4"	SCREW-ON	300	EACH
02995-15	1-1/4"	DOWELED	300	EACH

CS CLICK-ON HINGE SYSTEM

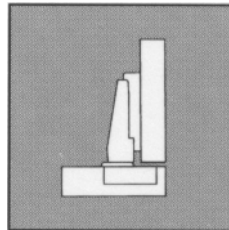


Please note: Mepla-Alfit & Grass have merged to become Grass.

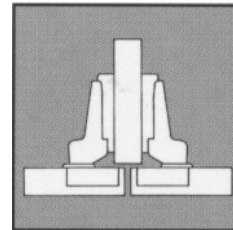


STATE-OF-THE-ART CLICK-ON TECHNOLOGY

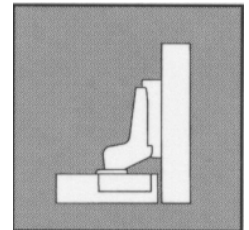
- Tool free quick mounting to the cabinet.
- Secure fit without play or twisting.
- Mounts with a simple push of a finger.
- 3-way adjustable.
- Allows quick mounting and dismantling of door.
- Available for all hinge functions and opening angles.
- CS Clip system also available in combination with the Nexis Impresso (formerly called CST Twin NT) Hinge system



CRANKING 00
FULL OVERLAY



CRANKING 08
HALF OVERLAY

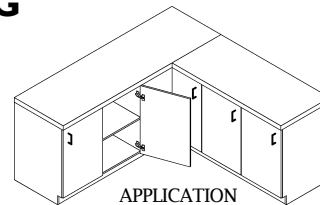
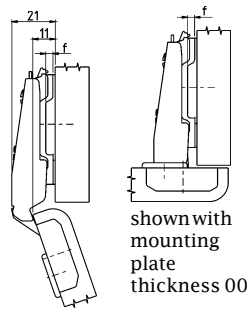


CRANKING 15
INSET

110° CS22 CLICK-ON HINGES - SELF CLOSING



cranking 00



APPLICATION



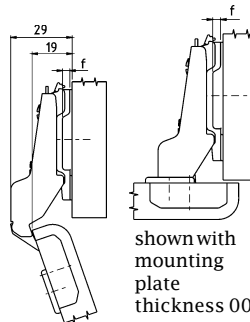
- 35mm dia. x 11mm deep cup.
- Suitable for thin & soft-formed doors.
- All metal, nickel plated.
- Soft-close compatible.
- For overlay up to 20mm (25/32")
- For door thickness up to 22mm (7/8")



* Now available in 45/9.5 boring pattern, compatible with "Blum"



cranking 08

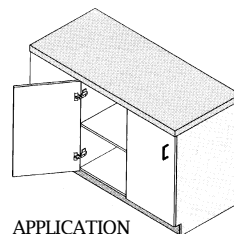
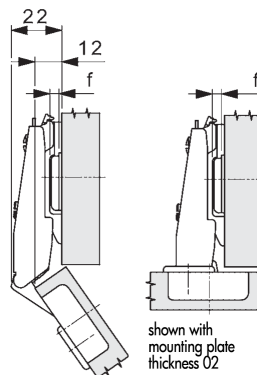


ORDER #	CRANKING	MOUNTING	PKG.	UNIT
146.322.53.0015	00	SCREW-ON	250	EA
146.322.54.0015	00	DOWELED	250	EA
148.322.54.0015	00	*BLUM DOWELED	250	EA
146.322.53.0815	08	SCREW-ON	250	EA
146.322.54.0815	08	DOWELED	250	EA

125° CS29 CLICK-ON HINGES - SELF CLOSING



cranking 00



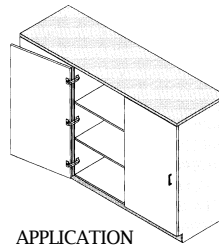
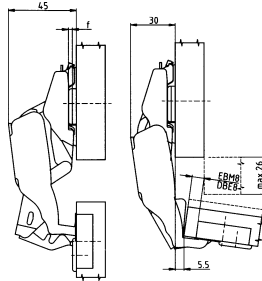
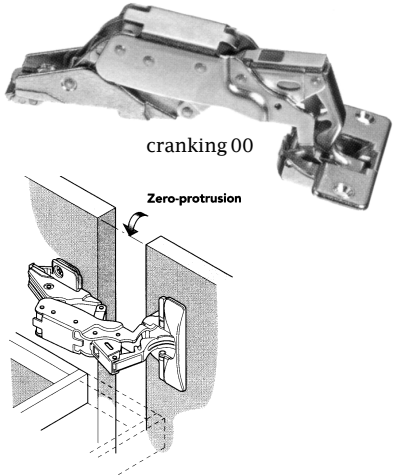
APPLICATION



- 35mm diameter x 11.8mm deep cup.
- Soft-close compatible.
- For overlay up to 19mm (3/4")
- For door thickness up to 20mm (13/16")
- Premium opening angle for easy cabinet access.
- Stamped steel, nickel plated.

ORDER #	CRANKING	MOUNTING	PKG.	UNIT
146.329.55.0015	00	SCREW-ON	250	EA
146.329.56.0015	00	DOWELED	250	EA

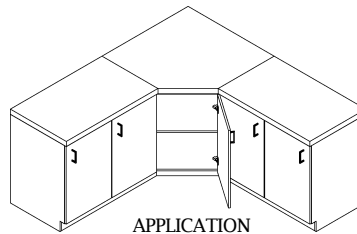
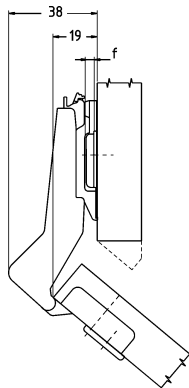
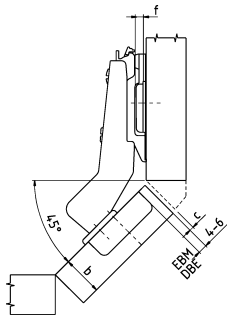
170° CS65 CLICK ON HINGES - SELF CLOSING



- 35mm diameter x 11mm deep cup.
- Opens flush with cabinet for easy access to drawers.
- Soft-close compatible.
- For overlay up to 21mm (13/16")
- For door thickness up to 26mm (1-1/32")
- Stamped steel hinge arm, zinc diecast hinge cup; nickel plated.
- Optional angle reduction clip stops opening at 120°

ORDER #	CRANKING	MOUNTIN	PKG.	UNIT
146.765.53.0015	00	SCREW-ON	125	EA
146.765.54.0015	00	DOWELED	125	EA
146.765.54.0815	08	DOWELED	125	EA
641.000.09.0062	ANGLE REDUCTION CLIP		125	EA

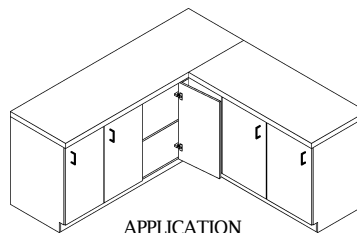
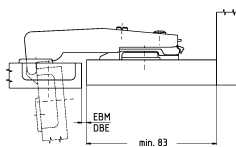
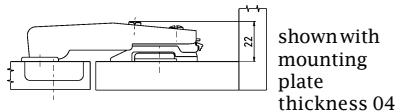
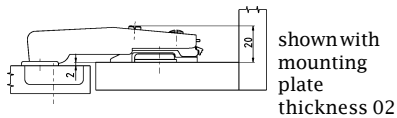
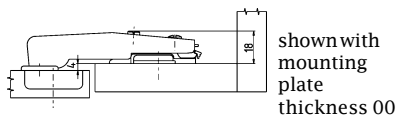
95° CS05/45/3 CLICK ON CORNER HINGE - SELF CLOSING



- 35mm diameter x 11.8mm deep cup.
- Soft-close compatible.
- 45° positive angle hinge, designed for angled corner cabinets.
- DBE = Distance of bore from the edge of the door.
- DBE 4, mounting plate, thickness 02.
- DBE 6, mounting plate, thickness 04.
- Zinc diecast hinge arm, stamped steel hinge cup; nickel plated.

ORDER #	MOUNTING	PKG.	UNIT
146.405.54.0315	DOWELED	125	EA

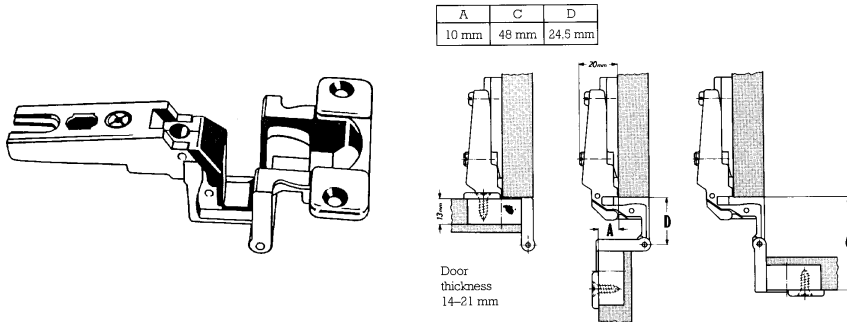
95° CS05/90/4 CLICK ON POST HINGE - SELF CLOSING



- 35mm dia. x 11.8mm deep cup.
- Soft-close compatible.
- For use in blind corner kitchen cabinets and specialized furniture applications.
- Post hinge, fully compatible with all standard with all 37mm set back mounting plates.
- Zinc diecast hinge arm, stamped steel hinge cup; nickel plated.

ORDER #	MOUNTING	PKG.	UNIT
146.405.54.9615	DOWELED	125	EA

SSP73 SLIDE-ON SYSTEM - 180°/270° COMMERCIAL HINGE

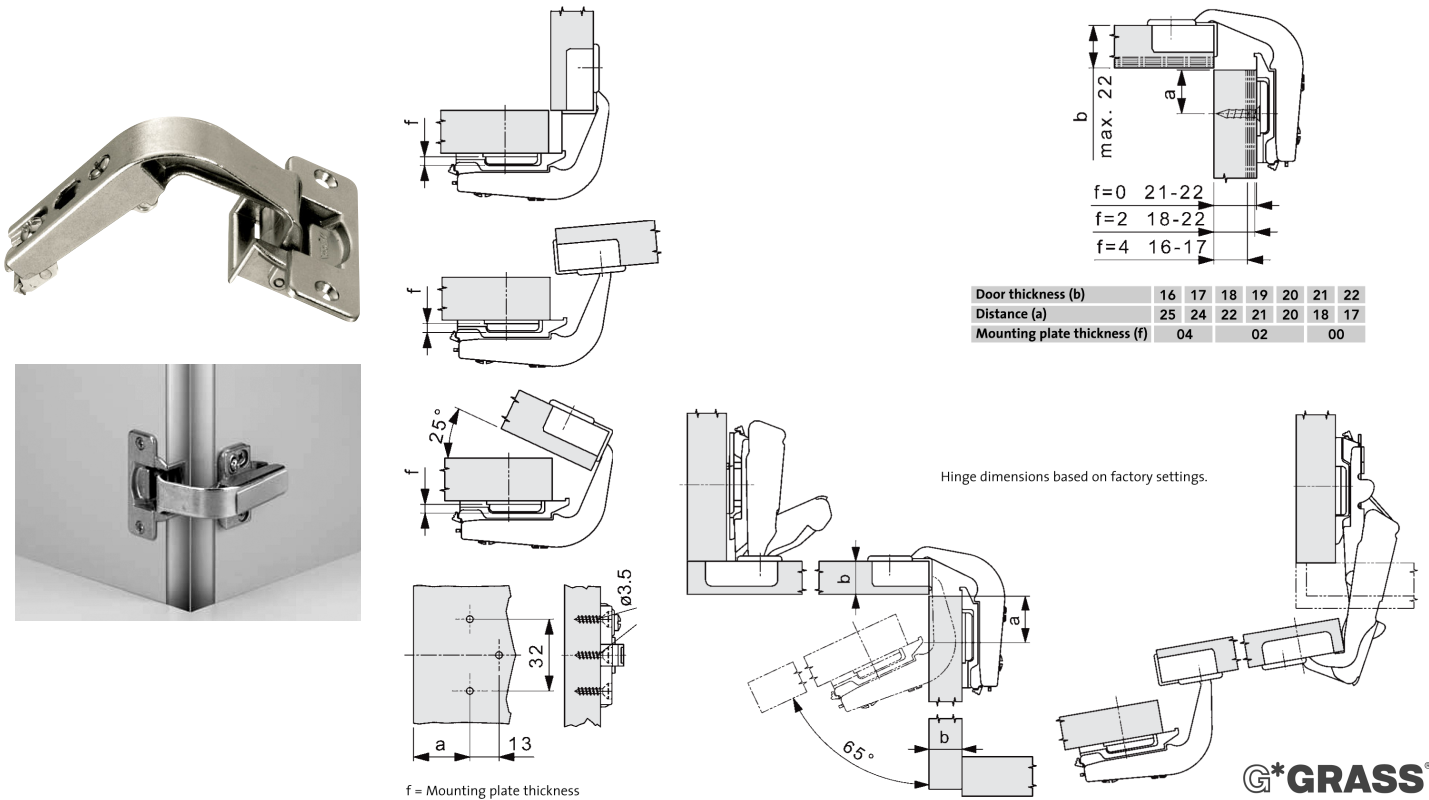


G*GRASS®

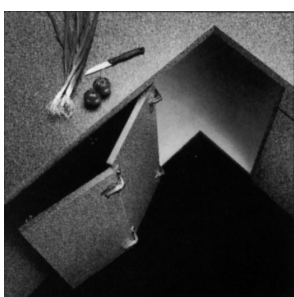
- 35mm cup.
- Maximum opening angle 270° if door plus cabinet side thicknesses total 35mm or less.
- 3-way fully adjustable plus 32mm compatible.
- For door thickness of 14mm-21mm.
- Maximum overlay 16mm.
- The perfect solution for commercial millwork.
- All metal, nickel plated.

ORDER #	MOUNTING	PKG.	UNIT
412.770.08.0015	SCREW-ON	125	EA

CS PCC CORNER HINGE



G*GRASS®

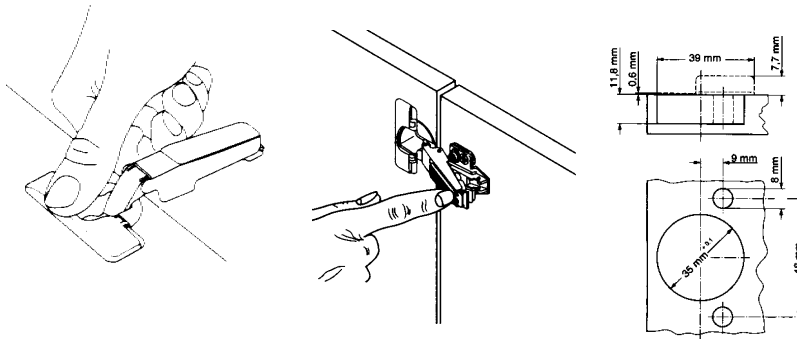


- With PCC one needs to open only one of the twin doors to reach into the corner cabinet. Mounted together with a Grass 170° wide angle hinge, PCC upgrades kitchen ergonomics.

- Designed for use in corner cabinets with folding doors.
- For 5/8" material use a 4mm plate.
- For 3/4" material use a 2mm plate.
- 35mm dia. x 12mm deep cup.
- For door thickness 16mm-22mm.
- Door gaps controlled without the need for a special adjustment screw. Gap size depends on mounting plate position.
- All metal, nickel plated.

ORDER #	MOUNTING	PKG.	UNIT
146.700.02.0015	DOWELED	1	EA

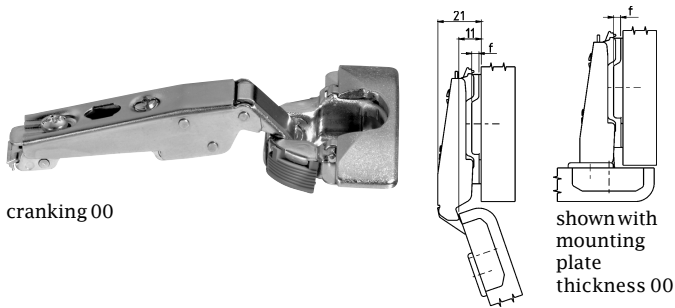
GRASS NEXIS IMPRESSO HINGE SYSTEM



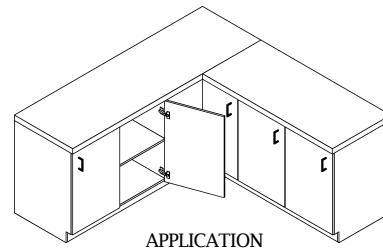
TECHNOLOGY FOR QUICK, TOOL-FREE HINGE ASSEMBLY

- Fits the two most popular boring patterns in the industry; "48-Mepla" & "45-Blum"
- Tool-free mounting on the cabinet, hinges simply clip on the mounting plate; 3-D adjustable.
- **It's Easy:** Insert hinge into triple boring pattern, close the flap of the hinge cup. Fits securely, no twisting of the hinge.
- Ideal for KD furniture and materials such as particle board, solid wood & MDF.

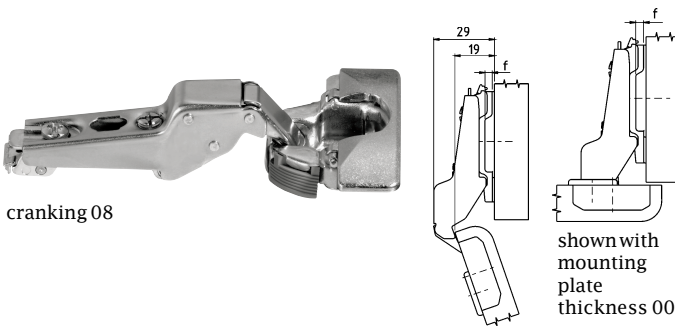
110° IMPRESSO HINGE - SELF CLOSING



cranking 00



APPLICATION

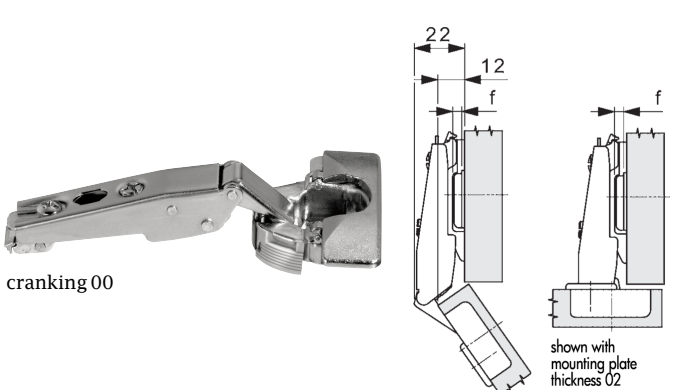


cranking 08

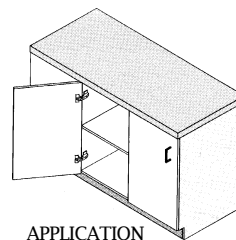
- 35mm dia. x 11.5mm deep cup.
- Excellent minimum gap requirements.
- Soft-close compatible.
- For overlay up to 20mm (25/32")
- For door thickness up to 26mm (7/8")
- Special shallow cup dimensions allow for mounting in soft-formed doors
- 2mm gap required for 3/4" thick doors.
- All metal, nickel plated.

ORDER #	CRANKING	MOUNTIN	PKG.	UNIT
146.622.35.0015	00	TWIN	125	EA
146.622.35.0815	08	TWIN	125	EA

125° IMPRESSO HINGES - SELF CLOSING



cranking 00



APPLICATION

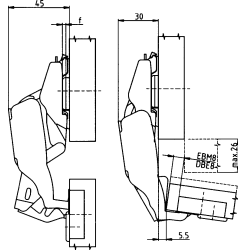
- 35mm dia. x 12mm deep cup.
- 1.5mm (1/16") gap required.
- For overlay up to 19mm (3/4")
- For door thickness up to 20mm (13/16")
- Premium opening angle for easy cabinet access.
- All metal, nickel plated.

ORDER #	CRANKING	MOUNTIN	PKG.	UNIT
146.629.35.0015	00	TWIN	250	EA

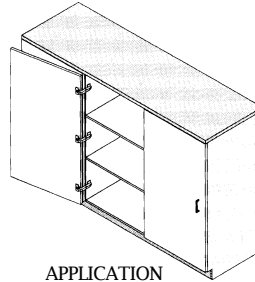
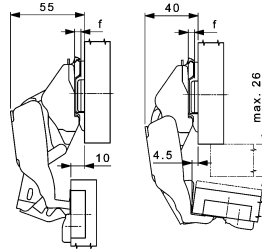
170° IMPRESSO HINGES - SELF CLOSING



cranking 00



cranking 08



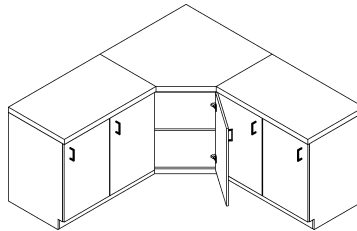
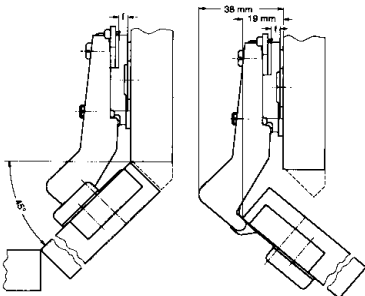
APPLICATION



- 35mm diameter x 11mm deep cup.
- Zero protrusion at a 90° opening in 00 cranking with 0mm plate.
- Stamped steel hinge arm, zinc diecast hinge cup; nickel plated.
- Optional angle reduction clip stops opening at 120°
- For overlay up to 21mm (13/16")
- For door thickness up to 26mm (1-1/16")
- Soft-close compatible.

ORDER #	CRANKING	MOUNTIN	PKG.	UNIT
146.765.65.0015	00	TWIN	50	EA
146.765.65.0815	08	TWIN	50	EA
641.000.09.0062	ANGLE REDUCTION CLIP		125	EA

IMPRESSO +45° CORNER HINGE - SELF CLOSING



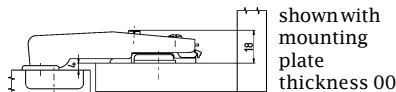
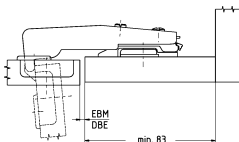
APPLICATION



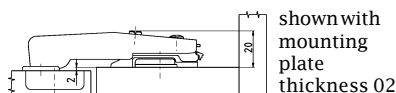
- 35mm dia. x 12.3mm deep cup.
- 45° positive angle hinge, designed for angled corner cabinets.
- 95° opening
- DBE = Distance of bore from the edge of the door.
- DBE 4, mounting plate, thickness 02.
- DBE 6, mounting plate, thickness 04.
- Zinc diecast hinge arm, stamped steel hinge cup; nickel plated.
- Soft-close compatible.

ORDER #	MOUNTIN	PKG.	UNIT
146.705.50.0315	TWIN	125	EA

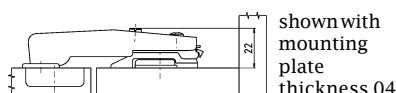
IMPRESSO POST HINGE - SELF CLOSING



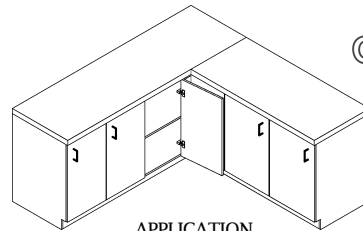
shown with mounting plate thickness 00



shown with mounting plate thickness 02



shown with mounting plate thickness 04



APPLICATION



- 35mm dia. x 12.3mm deep cup.
- For use in blind corner kitchen cabinets and specialized furniture applications.
- 95° opening
- Zinc diecast hinge arm, stamped steel hinge cup; nickel plated.
- Soft-close compatible.

ORDER #	MOUNTING	PKG.	UNIT
146.705.50.9615	TWIN	125	EA

CS/CST MOUNTING PLATES - CS 7250N/37 WOOD SCREW MOUNT

GRASS®

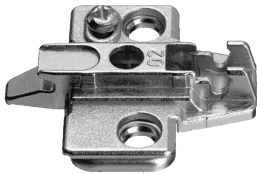


- Height adjustable by single screw.
- Two-piece plate.
- Zinc die-cast; nickel plated.

ORDER #	THICKNESS	PKG.	UNIT
315.393.55.0015	00 mm	250	EA
315.393.55.0215	02 mm	250	EA
315.393.55.0815	08 mm	250	EA
315.393.55.1815	18 mm	250	EA

- CS 7250E/37 EURO SCREW MOUNT

GRASS®

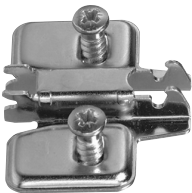


- Height adjustable by single screw.
- Two-piece plate.
- Zinc die-cast; nickel plated.

ORDER #	THICKNESS	PKG.	UNIT
317.393.56.0015	00 mm	250	EA
317.393.56.0815	08 mm	250	EA
317.393.56.1815	18 mm	250	EA

- CS 7250MES PRE-MOUNTED EURO SCREWS ("ECONOMY" PLATE)

GRASS®

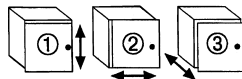
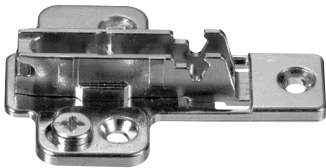


- Height adjustable - slotted holes..
- One-piece plate.
- Steel - nickel plated.

ORDER #	THICKNESS	PKG.	UNIT
318.393.81.0015	00 mm	250	EA

- WOOD SCREW MOUNT

GRASS®

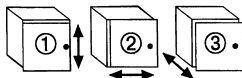
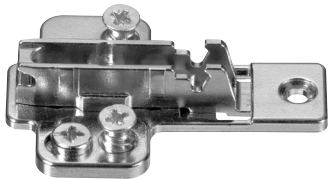


- Height & depth adjustable.
- Three point mounting.
- Two-piece cam plate.

ORDER #	THICKNESS	PKG.	UNIT
314.493.70.0015	00 mm	250	EA
314.493.70.0215	02 mm	250	EA
314.493.70.0415	04 mm	250	EA
314.493.70.0815	08 mm	250	EA

- PRE-MOUNTED EURO-SCREWS

GRASS®

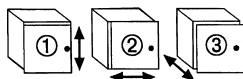


- Height & depth adjustable.
- Three point mounting.
- Two-piece cam plate.

ORDER #	THICKNESS	PKG.	UNIT
318.493.70.0015	00 mm	250	EA
318.493.70.0815	08 mm	250	EA

FACE FRAME CONSTRUCTION - WOOD SCREW & PRE-MOUNTED WOOD SCREW MOUNT

GRASS®

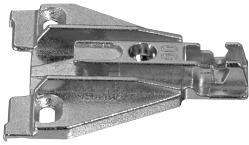


- Special 3-D cam adjustment, height and depth adjustable.
- Nickel plated.

ORDER #	MOUNTING	THICKNESS	PKG.	UNIT
346.290.91.0015	WOOD SCREW	00 mm	250	EA
346.290.92.0015	PRE-MOUNTED WOOD SCREWS	00 mm	250	EA
346.290.91.0415	WOOD SCREW	4 mm	250	EA
346.290.92.0415	PRE-MOUNTED WOOD SCREWS	4 mm	250	EA

CS 725I MOUNTING PLATES - FACE FRAME CONSTRUCTION - WOOD SCREW MOUNT

G*GRASS®

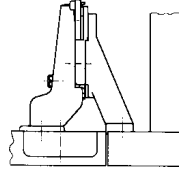
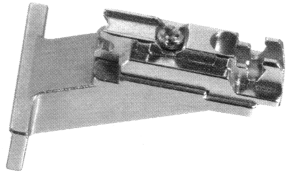


- Face frame applications.
- Height adjustable.
- Nickel plated.

ORDER #	THICKNESS	PKG.	UNIT
346.290.88.0015	00 mm	250	EA
346.290.88.0415	04 mm	250	EA

CS 7255 FACE FRAME PLATES FOR BEADED INSET DOORS - WOOD SCREW MOUNT

G*GRASS®

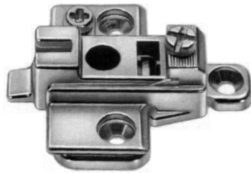


- For face frame mounting of all 08 cranking CS hinges.

ORDER #	THICKNESS	PKG.	UNIT
346.290.90.0215	2 mm	250	EACH

SSP MOUNTING PLATE - SUITABLE FOR SSP SYSTEM HINGES

G*GRASS®



- "Supercompact" plate with three point wood screw fixing, height adjustable.

ORDER #	THICKNESS	PKG.	UNIT
315.293.66.0015	00 mm	250	EACH

GRASS HINGE ARM COVER CAP

G*GRASS®

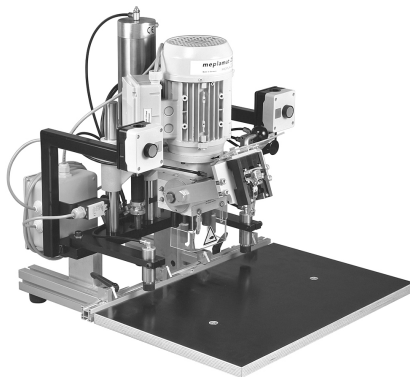


- Nickel plated cover cap for use with 00 crank hinges only.

ORDER #	DESCRIPTION	PKG.	UNIT
514.300.21.0115	COVER CAP	125	EA

MEPLAMAT 2500 - DRILLING & INSERTION MACHINE

G*GRASS®



APPLICATIONS

- Grass face frame hinges.
- Grass European hinges
- Integra Drawer Systems
- VB connectors.
- General drilling
- Line boring.

TECHNICAL DETAILS:

- Power supply: 220V, 60Hz, single phase

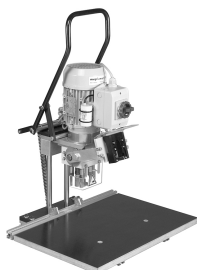
GENERAL FEATURES

- 6 spindle gear box.
- Strong sturdy design & 3 voltage options.
- 600mm fence stop that can be extended with an additional ruler extension
- Cycle time of less than 10 seconds
- Swing down lever for easy insertion & attachment of hardware
- Tool kit for all machine adjustments.
- High end air maintenance unit to provide clean & dry air; off air support.
- 2 sturdy hold down cylinders.

ORDER #	PKG.	UNIT
490.406.02.0652	1	EA

MEPLAMAT 850 - PORTABLE DRILLING & INSERTION MACHINE

G*GRASS®



- Economical hinge insertion machine.
- Can also be used to drill & insert Integra front fixing brackets, Integra quick bottoms & VB connectors.
- Readily transportable to job site.

STANDARD EQUIPMENT:

- 1 boring head (5 spindle); 1 x 35 mm right; 2 x 8 mm left; 1 swing down lever, 1 hinge insertion ram; tool kit for all adjustments.

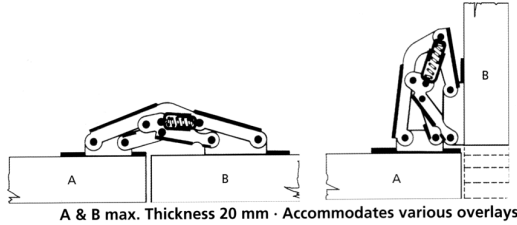
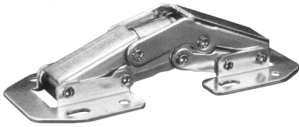
TECHNICAL DETAILS:

- Power supply: 110V, 60Hz, single phase

ORDER #	PKG.	UNIT
490.410.00.0652	1	EA

NO-BORE CONCEALED HINGES - 90° OPENING

SELBY

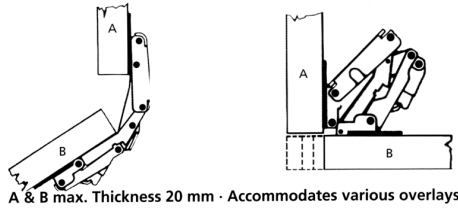
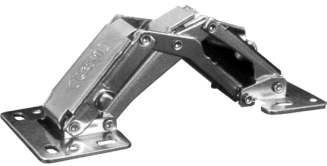


- Requires no boring.
- One hinge accommodates various overlays.
- Self-closing.
- For door thicknesses up to 20mm.

ORDER #	FINISH	PKG.	UNIT
HC2000M	ZINC	200	EACH

-150° OPENING

SELBY

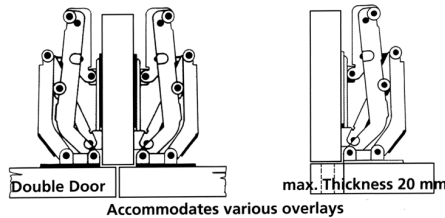
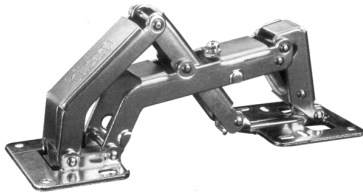


- Requires no boring.
- One hinge accommodates various overlays.
- Self-closing.
- For door thicknesses up to 20mm.

ORDER #	FINISH	PKG.	UNIT
HC2000-150	ZINC	200	EACH

-170° OPENING

SELBY



- Requires no boring.
- One hinge accommodates various overlays.
- Self-closing.
- For door thicknesses up to 20mm.

ORDER #	FINISH	PKG.	UNIT
HC2000-170	ZINC	200	EACH

Huge selection of decorative and functional hardware available online. Visit our online catalog today at www.thehardwarehut.com



Hardware Hut.com
a division of Spokane Hardware Supply, Inc.