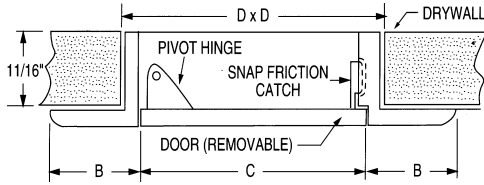


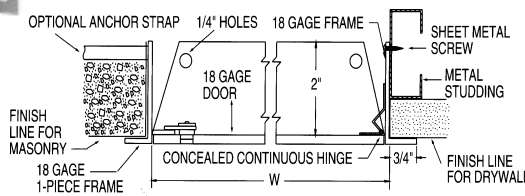
ECONOMICAL ACCESS DOORS - HANDI-ACCESS PLASTIC PANEL, FOR WALLS & CEILINGS



- For all surfaces, can be installed with glue or caulking adhesive .
- Door & frame constructed from 1/8" high impact styrene plastic.
- Pivot hinge enables door panel to be removed & held closed with a snap friction catch & opened without special tools.
- White, lightly textured exposed surface for easy painting.

ORDER #	DOOR SIZE	DIMENSIONS		WALL OPENING D	PKG.	UNIT
		B	C			
HA88-8	8" x 8"	1"	7-3/4"	8"	8	EACH
HA1414-6	14" x 14"	1-1/4"	13-3/4"	14"	6	EACH

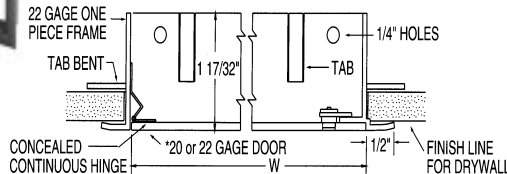
- ME ECONOMY ACCESS DOOR, FOR WALLS & CEILINGS



- Economical steel door. Lightweight & easy to handle, perfect for new construction & remodeling.
- 3/4" wide trim, return & doorstop one-piece construction.
- 13 gauge steel.
- Concealed continuous piano hinge.
- Flush locks, screwdriver operated with stainless steel cam & stud or cylinder lock with dust shutter.
- Prime coat rust inhibitive electrostatic powder, gray enamel.

ORDER #	DOOR SIZE	WALL OR CEILING OPENING	# OF STUD LATCHES	PKG.	UNIT
ME1414S	14" x 14"	14-3/8" x 14-3/8"	2	1	EACH

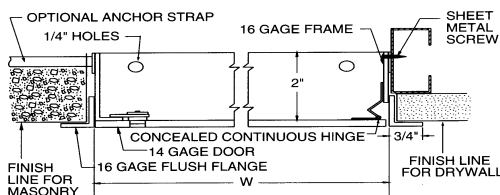
- PRESS-FIT DOOR FOR WALLS & CEILINGS



- Lightweight door, installs easily by bending tabs on the return back to grip the drywall.
- Frame, return & doorstop are one-piece construction with a 1/2" wide beveled frame. 22 gauge steel.
- Concealed, continuous piano hinge.
- Flush locks, screwdriver operated with stainless steel cam and stud or cylinder lock with dust shutter.
- Prime coat rust inhibitive electrostatic powder, grey enamel.

ORDER #	DOOR SIZE	WALL OR CEILING OPENING	# OF STUD LATCHES	PKG.	UNIT
PFP1212S	12" x 12"	11-13/16" x 11-13/16"	2	1	EACH

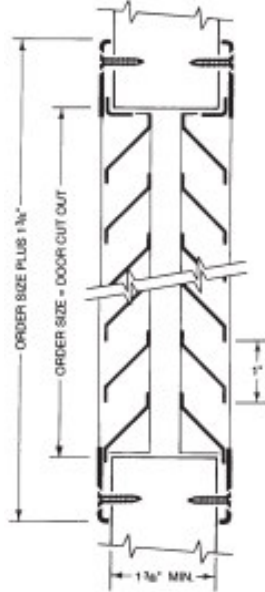
UNIVERSAL ACCESS DOOR - DSC-214M FLUSH FOR ALL SURFACES



- Exposed flange adds rigidity & conceals rough wall opening.
- 16 gauge steel frame & 14 gauge door steel with 3/4" wide trim, one-piece construction.
- Concealed continuous piano hinge.
- Flush lock, screwdriver operated with stainless steel cam and stud or cylinder lock with dust shutter.
- Prime coat rust inhibitive electrostatic powder, gray enamel.

ORDER #	DOOR SIZE	WALL OR CEILING OPENING	# OF STUD LATCHES	PKG.	UNIT
MP2424S	24" x 24"	24-3/8" x 24-3/8"	4	1	EACH

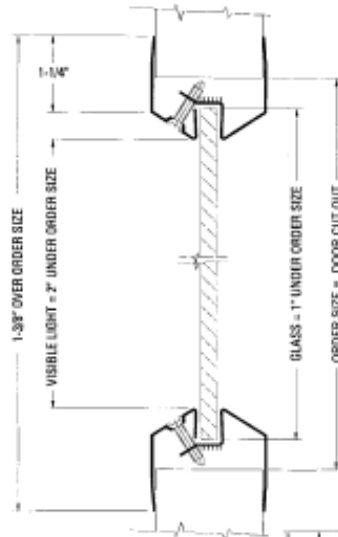
DOOR LOUVER KITS



- Inverted split "Y" blades features non-vision two piece design for wood or metal doors and walls.
- Material: 18 ga. galvanized steel CRS frame and louver blades.
- Mitered and welded corners; countersunk holes.
- For 1-3/8" minimum door thickness.
- Mineral bronze baked on powder coat finish.
- 50% free flow area.

ORDER #	SIZE	PKG.	UNIT
700A-12X12-BZ GALV	12" x 12"	4	EACH
700A-18X12-BZ GALV	18" x 12"	4	EACH
700A-24X12-BZ GALV	24" x 12"	4	EACH
700A-24X24-BZ GALV	24" x 24"	4	EACH

SLIMLINE DOOR WINDOW KITS - LOW PROFILE



SL

- Low profile beveled VISION LITE with continuous glass retainer. Recommended for applications where low profile, total visibility and light transmissions are required.
- Radius corners, mitered and welded. Continuous glass retainer, countersunk mounting holes in bevel return.
- Mineral bronze baked on powder coat finish.
- **Material:** 20 gauge CRS frame.
- **Door:** For 1-3/4" door thickness.
- **Glass:** See below for sizes; glass not supplied.
- **SL:** For 1/4" glass - use fire rated glazing with Warnock Hersey(ITS) or UL classification markings for fire rated applications.
- **SL-IG:** For 1" glass.



Radius Corner Detail

SL-IG

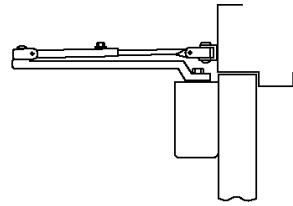
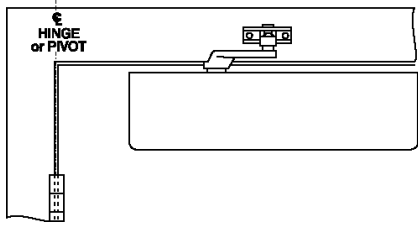


ORDER #	SIZE	GLASS SIZE	PKG.	UNIT
SL 6 X 27 BZ	6" x 27"	5" x 26"	10	EACH
SL 7 X 22 BZ	7" x 22"	6" x 21"	10	EACH
SL 8 X 38 BZ	8" x 38"	7" x 37"	10	EACH
SL 12 X 12 BZ	12" x 12"	11" x 11"	10	EACH
SL 18 X 32 BZ	18" x 32"	17" x 31"	10	EACH
SL 24 X 24 BZ	24" x 24"	23" x 23"	10	EACH
SL 24 X 30 BZ	24" x 30"	23" x 29"	10	EACH
SL 24 X 32 BZ	24" x 32"	23" x 31"	10	EACH
SL 24 X 36 BZ	24" x 36"	23" x 35"	10	EACH
SL 24 X 60 BZ	24" x 60"	23" x 59"	10	EACH
SL-IG 6 X 27 BZ	6" x 27"	5" x 26"	10	EACH
SL-IG 7 X 22 BZ	7" x 22"	6" x 21"	10	EACH
SL-IG 24 X 30 BZ	24" x 30"	23" x 29"	10	EACH
SL-IG 24 X 32 BZ	24" x 32"	23" x 31"	10	EACH
SL-IG 24 X 36 BZ	24" x 36"	23" x 35"	10	EACH
SL-IG 24 X 60 BZ	24" x 60"	23" x 59"	10	EACH

DOOR CLOSER MOUNTING EXAMPLES

Norton®

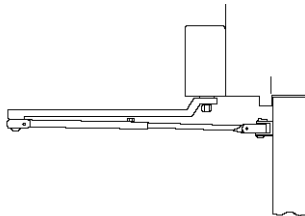
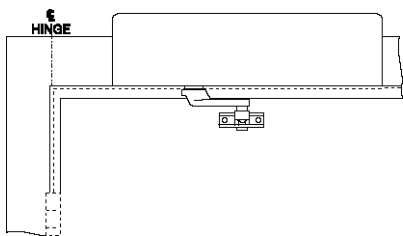
REGULAR ARM INSTALLATION



REGULAR ARM INSTALLATION

The closer body is mounted on the top rail of the door on the hinge side of the door. The forearm is mounted to the frame face by means of a mounting shoe. The closer body requires less space on the door's top rail than a parallel arm installation, but more space than a top jamb installation. (The top jamb installation requires space for the arm fastening only.) The arm projects from the door at approximately a right angle. Finally, the geometry of the assembly makes a regular arm closer somewhat more power-efficient than a parallel arm closer.

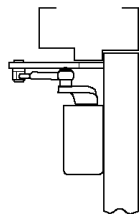
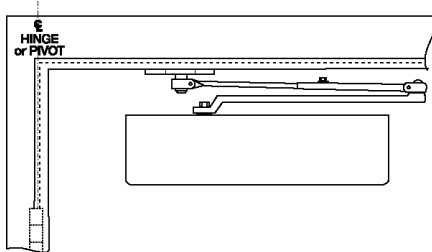
TOP JAMB INSTALLATION



TOP JAMB INSTALLATION

The closer body is mounted on the frame face above the door, opposite the door's hinge side. The forearm is mounted on the top rail of the door by means of a mounting shoe. The top jamb closer is particularly suitable for doors with a narrow top rail, such as an aluminum-and-glass "storefront" door. Finally, the geometry of the assembly makes a top jamb closer somewhat more power efficient than a parallel arm closer.

PARALLEL ARM INSTALLATION

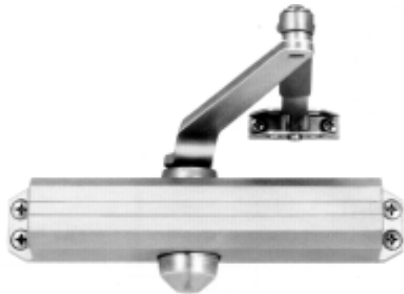


PARALLEL ARM INSTALLATION

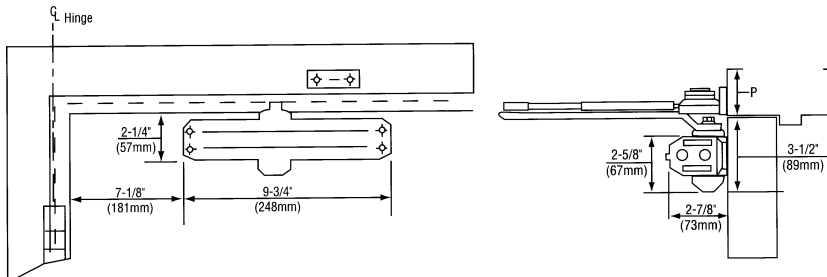
The closer body is mounted on the top rail of the door opposite the hinge side of the door. The forearm is mounted to the underside of the frame (the soffit) by means of a soffit plate, and requires no space on the frame face. The arm is parallel to the door, and therefore less accessible to mischief. The depth of the door's top rail is an important consideration when using this method of mounting. This method of mounting reduces the power-efficiency.

SERIES 1601 UTILITY/STOREFRONT DOOR CLOSERS - MULTISIZE

Norton®



REGULAR ARM INSTALLATION SHOWN BELOW



- Mounting holes on body spaced center-to-center: 3/4" vertically x 9-1/16" horizontally.
- * For doors opening up to 100°

STANDARD FEATURES

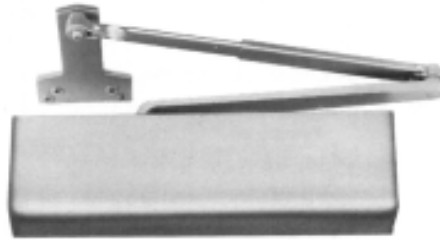
- Tri-Style®: regular arm, top jamb and parallel arm mounting standard.
- 1601: 3 thru 6 power range standard.
- Non-handed
- Standard, separate and independent, latch, sweep and backcheck cushioning valves
- All standard arm applications allow doors to swing 180° conditions permitting
- ANSI A156.4, Grade 1; UL10C; 10-year warranty
- Staked valves

OPTIONS

- 1601BF: 1 thru 4 power range for A.D.A.
- 1601H: Hold open arm.
- PR, CLP & UNI arms available (special order)

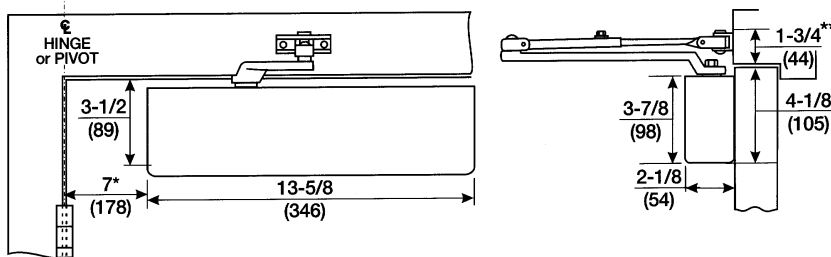
ORDER #	FINISH	PKG.	UNIT
1601 689 TBGN	ALUMINUM	6	EACH
1601 696 TBGN	GOLD/BRASS	6	EACH
1601 690 TBGN	DARK BRONZE	6	EACH
1601BF 689 TBGN	ALUMINUM	6	EACH
1601BF 696 TBGN	GOLD/BRASS	6	EACH
1601BF 690 TBGN	DARK BRONZE	6	EACH
1601H 689 TBGN	ALUMINUM	6	EACH

SERIES 7500 ARCHITECTURAL GRADE FULL FEATURE DOOR CLOSERS - MULTISIZE



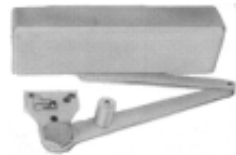
Norton®

REGULAR ARM INSTALLATION SHOWN BELOW



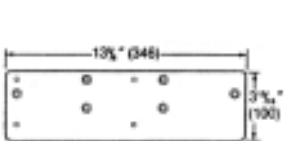
- Mounting holes on body spaced center-to-center: 2-3/8" vertically x 6-3/4" horizontally.
- * For doors opening up to 100°
- ** This dimension will vary. Standard non-hold open arm illustrated.

CLP7500: CLOSER PLUS ARM



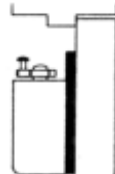
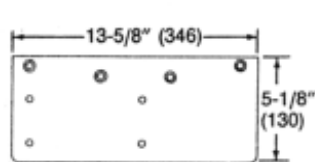
A parallel arm with the addition of heavy-duty rigid secondary arm. Incorporates a stop at the arm's soffit plate to dead stop the door at a predetermined degree of door swing between 85° & 110°. Prior to dead stop the backcheck feature slows the door speed to reduce impact.

REGULAR ARM NARROW MOUNTING PLATE



- **7786 Drop Plate:** For use where a narrow top rail prevents the closer from being mounted directly to the door surface.
- Mounted on a top rail 1-7/8" and 3-3/8" in height.

PARALLEL ARM NARROW MOUNTING PLATE



- **7788 Drop Plate:** For use where a narrow top rail prevents the closer from being mounted directly to the door surface.
- Use to mount a closer on a rail as narrow as 2-3/8" in height.

STANDARD FEATURES

- New spring allows adjustment from size 1 to 6, eliminating need to specify barrier free (BF).
- **Tri-Pack:** Hardware for regular, parallel or top jamb mounting included.
- **Non-handed:** Can be installed on either right or left hand swing doors.
- **Sweep Control Valve:** Allows adjustment of door speed from the doors full open position down to approximately 10° from closed position.
- **Latch Speed Control Valve:** Allows adjustment of door speed from approximately 10° down to the door's fully closed position.
- **Adjustable Back-Check Valve:** Slows/cushions the door opening when door is forcible opened beyond pre-adjusted limits.
- **Standard Molded Cover:** Molded of high-impact UL Listed material covering entire closer body.
- **ANSI A156.4 Grade 1; UL listed; 10 year warranty;** made in the USA.

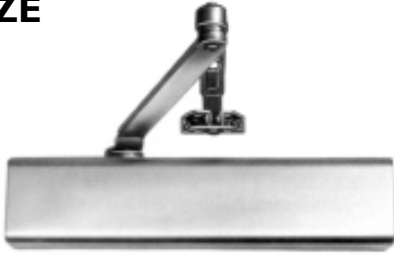
OPTIONS

- **7500H:** Hold-open arm - 90°-180° hold open.
- **PR7500:** Parallel rigid arm - available with a solid one-piece secondary arm.
- **7500DA:** Adjustable delayed action closing. Furnished with backcheck feature.
- **CLP7500:** Closer plus arm (parallel arm only) - closer & overhead holder & positive stop at 85°-110°. Optional hold open.

ORDER #	FINISH	PKG.	UNIT
7500 689 TBGN	ALUMINUM	4	EACH
7500 696 TBGN	GOLD	4	EACH
7500 690 TBGN	DARK BRZ.	4	EACH
7500DA 689 TBGN	ALUMINUM	4	EACH
7500H 689 TBGN	ALUMINUM	4	EACH
PR7500 689 TBGN	ALUMINUM	4	EACH
CLP7500 689 TBGN	ALUMINUM	4	EACH
7786	ALUMINUM	1	EACH
7788	ALUMINUM	1	EACH

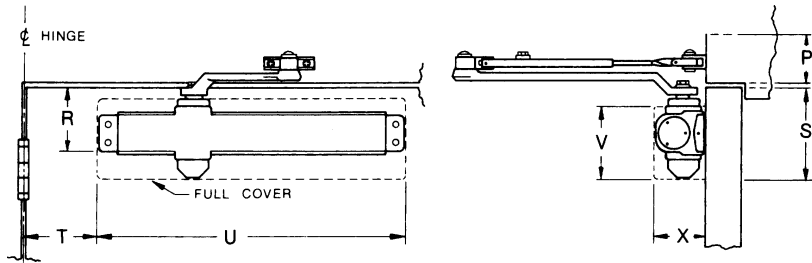
Our inside and outside sales staff is available to assist you with whatever your needs may be.

SERIES 850I ARCHITECTURAL FULL FEATURE DOOR CLOSERS - MULTI-SIZE



Norton®

REGULAR ARM INSTALLATION SHOWN BELOW



- Mounting holes on body spaced center-to-center: 3/4"(19mm) vertically x 12"(305mm) horizontally.
- Minimum Top Rail: **R = 2-1/2"** (without drop plate)
- Minimum Top Rail Clearance: **S = 3-1/2"**
- Template Position: **T = 7"** (for 100° door opening)
- Closer Length: **U = 13"**
- Closer Height: **V = 2-7/8"**
- Closer Projection: **X = 2-1/8"**

STANDARD FEATURES

- Heavy duty full feature multi-size commercial door closer for use in office buildings, shopping centers and other commercial buildings.
- **Tri-Pack:** - Hardware for regular, parallel arm or top jamb mounting included.
- **Non-handed:** installs on either hand of door.
- **Adjustable sweep & latch speeds** - separate valves to adjust each speed.
- **Adjustable backcheck standard.**
- **Cover** - high impact UL Listed molded plastic.
- **ADA Compliant.**
- **ANSI 156.4 Grade 1; UL Listed; 10 year warranty; made in U.S.A.**

OPTIONS

- **8501DA:** Adjustable delayed action closing option with backcheck (special order).
- **8501H:** Hold-open arm - available with 90°-180° hold-open (special order).
- **PR8501:** Parallel Rigid arm - available with one piece secondary arm. (special order).

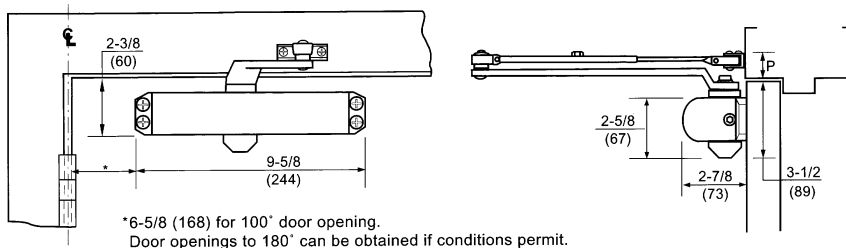
ORDER #	FINISH	PKG.	UNIT
8501 689 TBGN	ALUMINUM	4	EACH

SERIES 9300BC LIGHT COMMERCIAL DOOR CLOSERS



Norton®

REGULAR ARM INSTALLATION SHOWN BELOW



- Minimum Ceiling Clearance: **P = 1-1/2"** (non hold-open)
- Mounting holes on body spaced center-to-center: 9-1/16" horizontally x 3/4" vertically.

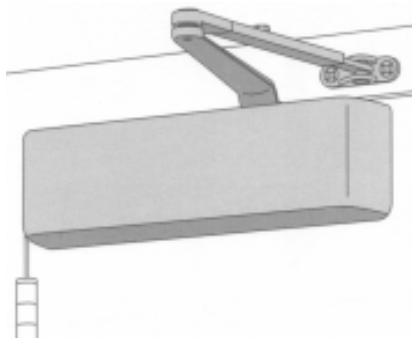
STANDARD FEATURES

- Light commercial door closer designed for exterior and interior doors such as condos, apartments, motels or hotels.
- Regular or top jamb installation standard.
- Stocked with 9318-A soffit plate for parallel mounting.
- Spring size 2, 3, 4, 5 (2 & 5 special order).
- Separate and independent valve for sweep speed and latch speed
- Adjustable backcheck standard
- Friction hold open arm optional (special order).
- UL listed and compliant with UL10C for positive pressure.
- 5-year limited warranty.
- **ANSI/BHMA A156.4 Grade 3.**

ORDER #	FINISH	PKG.	UNIT
9303 X 9318A 689 TBGN	ALUM.	6	EACH
9304 X 9318A 689 TBGN	ALUM.	6	EACH

404I "SUPER SMOOTHIE" SERIES DOOR CLOSERS

- MULTISIZE



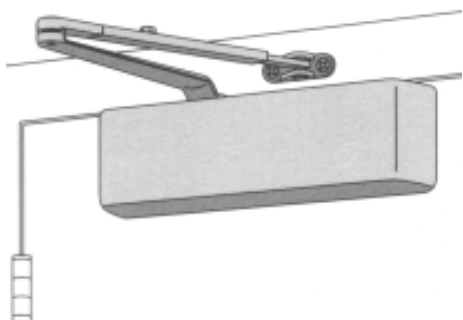
- Universal arm for regular, parallel or top jamb mounting.
- Designed for commercial, institutional & industrial applications; heavy-duty doors or any door subject to abusive and/or high frequency use.
- Spring Power Adjustable Size 1 to 6.
- Meets A.D.A. requirements; 10 year warranty.
- 4041CUSH: Features overhead stop.
- 4041EDA: Features heavy-duty arm.
- 4041H: Features hold open arm.

LCN

ORDER #	FINISH	PKG.	UNIT
4041 AL X TB	ALUMINUM	4	EACH
4041 STAT X TB	STAT BRZ.	4	EACH
4041CUSH AL TBMS	ALUMINUM	4	EACH
4041 EDA AL TBMS	ALUMINUM	4	EACH
4041H AL TBMS	ALUMINUM	4	EACH

401I/411I "SMOOTHIE" SERIES DOOR CLOSERS

- MULTISIZE



- Designed for commercial, institutional & industrial applications; heavy-duty doors or any door subject to abusive and/or high frequency use.
- Spring Power Adjustable Size 1 to 5+
- Meets entrance accessibility opening force requirements
- 10-year warranty
- 401I: Regular Arm Mounting
- 411I: Parallel Arm Mounting

LCN

ORDER #	FINISH	PKG.	UNIT
4011 AL X TB LH	ALUM.	4	EACH
4011 AL X TB RH	ALUM.	4	EACH
4111CUSH AL X TB LH	ALUM.	4	EACH
4111CUSH AL X TB RH	ALUM.	4	EACH
4111EDA AL X TB LH	ALUM.	4	EACH
4111EDA AL X TB RH	ALUM.	4	EACH

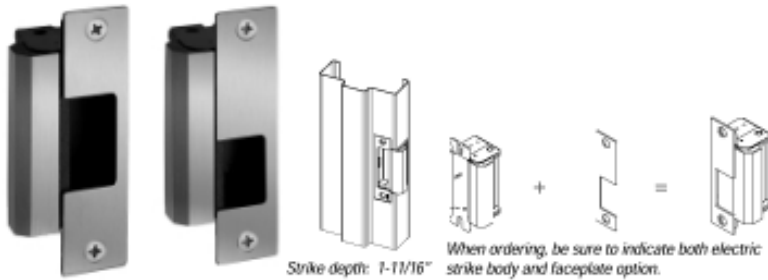
We offer a huge selection of products online.

Visit our online catalog today
at www.thehardwarehut.com



Hardware Hut.com
a division of Spokane Hardware Supply, Inc.

1006 SERIES ELECTRIC STRIKES



- The 1006 Series is the strongest and most versatile strike available. It meets or exceeds every standard developed for electric strikes.
- 27 faceplate options, the 1006 can accommodate virtually every type of lockset on the market.

Standard Features

- Available in fail secure (Model 1006) and fail safe (Model 1006F)
- .45 Amps @ 12VDC; .25 Amps @ 24VDC
- 3000 lbs. static strength
- Dual voltage - field selectable, 12 or 24VDC
- All stainless steel construction for corrosion resistance, strength, and durability
- Internally mounted solenoid
- Horizontal adjustment
- Non-handed
- 1000-105 - Trim adapter (goof plate)
- 5 year limited warranty

Specifications

- UL 10C, fire door access.; 3 hour (fail secure only)
- UL 1034, burglary resistance
- ANSI/BHMA 156.31 - 2001, Grade 1
- ASTM specification E 152; NFPA specification 252

ORDER #	FINISH	PKG.	UNIT
1006U-24VDC-630	STAINLESS	1	EACH
J-OPTION KIT 630	STAINLESS	1	EACH
KD-OPTION KIT 630	STAINLESS	1	EACH

J Option

Operation: After releasing the latchbolt, the keeper returns to the locked position.

J For use with cylindrical locksets up to 3/4" throw and all locksets with center-lined bolts

Compatible Locksets:
Accurate, Adams Rite, Arrow, Baldwin, Best, Corbin, Dexter, Dominion, Guard, Falcon, Harloc, Kwikset, Lockwood, Lori, LSDA, Marks, National, Omnia, PDQ, Parker, Russwin, Sargent, Schlage, Taco, Unican, Weiser, Weslock, Yale

4-7/8" x 1-1/4"

square corners & flat faceplate

type of lock released

KD Options

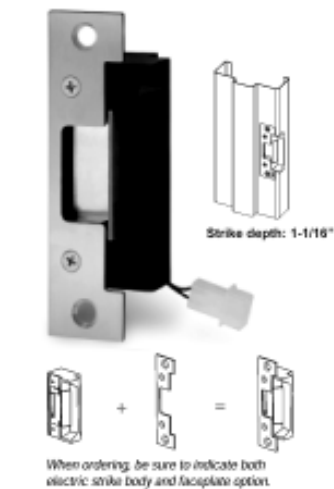
Operation: After releasing the latchbolt, the keeper returns to the locked position.

KD For use with mortise locksets with a deadlatch positioned above the latchbolt.

Compatible Locksets:
Sargent (7700 & 8700), Schlage, Yale

4-7/8" x 1-1/4"

5000 SERIES ELECTRIC STRIKES



Optional Features

- Seven faceplate options
- Four "press fit" stackable lip extensions
- LBM - Latchbolt monitor
- 2001 - Plug-in bridge rectifier
- 2005 - SMART-Pac™ II in-line power controller
- 2505 - Power Punch™ power supply
- 2006P - Plug-in buzzer
- 2009P - Plug-in LED
- 1000-104 - Lip extension trim adapter
- 154 - Metal template kit

- Compact, heavy-duty, high performance electric strike designed for low profile openings where there is limited space behind the jamb. This includes narrow style aluminum jambs and jambs with protruding glass inside.

Specifications

- UL 1034, burglary resistance
- ANSI/BHMA 156.31 - 2001, Grade 1
- ASTM specification E 152
- NFPA specification 252
- Patents # 5,934,720

Electrical

- .220 Amp @ 12VDC
- .110 Amp @ 24VDC

Standard Features

- Tamper resistant - heavy duty construction
- 2400 lbs. static strength
- Durability minimum of 500,000 cycles of operation
- Field selectable fail secure/fail safe operation
- Non-handed
- Internally mounted solenoid
- Patent # 5,934,720
- 5 year limited warranty

ORDER #	FINISH	PKG.	UNIT
5000U-24VDC	BLACK	1	EACH
501-OPTION KIT-630	STAINLESS	1	EACH

501 Option

Operation: After releasing the latchbolt, the keeper returns to the locked position.

501 For use with cylindrical locksets in ANSI metal jambs. For use with latchbolts up to 1/2" throw. Metal frames.

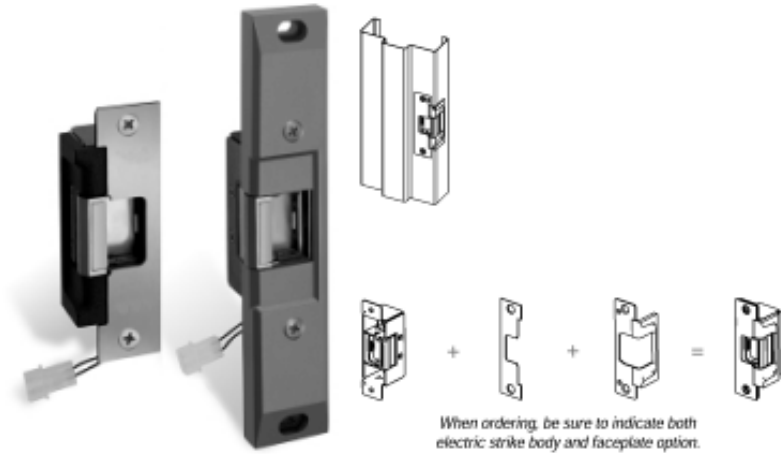
Compatible Locksets:
Accurate, Adams Rite, Arrow, Baldwin, Best, Corbin, Dexter, Dominion, Guard, Falcon, Harloc, Kwikset, Lockwood, Lori, LSDA, Marks, National, Omnia, PDQ, Parker, Russwin, Sargent, Schlage, Taco, Unican, Weiser, Weslock, Yale

4-7/8" x 1-1/4"

square corners & flat faceplate

type of lock released

7000 SERIES ELECTRIC STRIKES



- Modular design to accommodate both cylindrical and rim exit locksets.
- Accommodates various types of latchbolts from 5/8" to 3/4" throw. The unique design of the keeper module allows the unit to operate under excessive door loading (approximately 30 lbs.) The heavy duty construction of the 7000 series electric strikes makes them ideal for high usage applications.

Specifications

- UL 1034, burglary resistance
- ANSI/BHMA 156.31, Grade 2
- ASTM specification E 152; NFPA specification 252
- Patent #5,484,180

Electrical

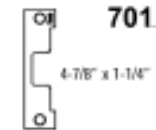
- .45 Amp @ 12VDC
- .25 Amp @ 24VDC

Standard Features

- Tamper resistant - heavy duty construction
- Strike depth - 1-11/16"
- Field reversible fail secure/ fail safe
- 30 lbs. of door resistance (fail secure)
- Non-handed
- Internally mounted solenoid
- Patented design
- 3 year limited warranty

701 Option

Operation: After releasing latchbolt the keeper returns to the locked position.



701
4-7/8" x 1-1/4"
For use with
cylindrical locksets up to 5/8" throw. (For use with 7000 series electric strikes only.) Metal frames.
Compatible Locksets:
Accurate, Arrow, Baldwin, Best, Falcon (1991 & earlier), Marks, Omnia, PDQ

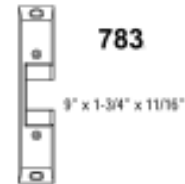
ANSI/BHMA #E09322

type of lock released



783 Option

Operation: After releasing pullman latch, the keeper returns to the locked position.



783
9" x 1-3/4" x 11/16"
For use with
rim panic exit devices in metal jambs with up to a 3/4" pullman latch. (For use with 7000 series electric strikes.) Metal or wood frames.
Compatible Locksets:
American Device, Arrow, Doramatic, Monarch, Precision, Sargent, Van Duprin, Yale

ANSI/BHMA #E09312

type of lock released



ORDER #	FINISH	PKG.	UNIT
7000U-24VDC	BLACK	1	EACH
701-OPTION KIT-630	STAINLESS	1	EACH
783-OPTION KIT-630	STAINLESS	1	EACH

ELECTRIC STRIKES - ELECTRICAL ACCESSORIES



2001-RECTIFIER



2002-24 TRANSFORMER



2005 SMART-PAC



2006P PLUG IN BUZZER

- **2001:** Plug-in bridge rectifier; Converts AC to DC. 35V, 1 Amp
- **2002-24:** AC transformer Converts 110/120 VAC to 24 VAC output. 20V, .8 Amp max.
- **2005: Smart-Pac II** - In-line power control able to receive input voltages from 12-32V AC or DC. Built-in bridge rectifier provides 12 or 24VDC output. Under continuous duty the output VDC is reduced by 25% to extend the life of the electric strike. Includes in-line fuse, MOV, and 2-8 second adjustable timer.
- **2006P:** Plug-in buzzer - Audible operation indicator

ORDER #	DESCRIPTION	PKG.	UNIT
2001 RECIFIER	AC TO DC RECTIFIER	1	EACH
2002-24 TRANSFORMER	120-24 VAC	1	EACH
2005 SMART-PAC	VOLTAGE REGULATOR	1	EACH
2006P	PLUG-IN BUZZER	1	EACH

BATTERY OPERATED EXIT CONTROL LOCK



ECL-230D
(Optional Bar Guard Shown)
(Cylinder not included)

Features

- Easy to install, rugged, and economical.
- Attack and corrosion resistant cast aluminum housing.
- Easy to install with basic tools.
- UL listed Panic Hardware, ADA compliant.
- ECL-230D comes with a 5 year limited warranty standard.
- Battery operated, can be converted w/optional battery eliminator kit.
- High decibel alarm horn.
- Saw resistant deadbolt, with a 1" throw.
- Outside key control available.
- Can be used with F90KR Keyed Removable Mullion, BE-961 Battery Eliminator, DDH-2250 Double Door Holder, or VRA-143 Vertical Rod Assemblies.

ORDER #	PKG.	UNIT
ECL-230D	1	EACH

EXIT ALARM - BATTERY POWERED, SURFACE MOUNT



(Cylinder not included)

- Surface-mount, slim line design blends with architectural decor and is easy to install using ordinary tools.

Features

- Case & internal mounted piezo horn resist tampering
- Threaded lock-on cover protects mounting screws, electrical system and internal sensor
- Alarm can only be silenced by use of the proper control key or remote bypass switch/outside key control feature
- 95-decibel, directional piezo horn to warn of unauthorized use of a door.
- Low battery alert detector; reverse battery protection.
- Adjustable time delay (5-30 seconds).
- 90° detent prevents the removal of the control key when the unit is in the disarmed position

Optional Feature

- State-of-the-art electronic closed loop circuit operation - alarm will sound any time the wires to the external sensor are cut



Specifications

- 3-3/16"W x 2-7/8"D x 8-5/16"L
- Standard 9V long-life alkaline battery.

ORDER #	PKG.	UNIT
EAX500	1	EACH

VALUE SERIES EXIT ALARM - BATTERY POWERED, SURFACE MOUNT



Technical Specifications

- Approx. 100dB Piezo alarm
- Tamper resistant, latch bolt monitoring
- Selectable 15/60 Second Arming Delay
- Selectable Auto-Rearming 2/10/20 Min. or Continuous
- Mortise cylinder key switch arming
- Alarm accepts 5, 6 and 7 pin standard and interchangeable core mortise cylinders with a Yale standard cam (cylinder collar required only with 7 pin IC)
- ANSI & BHMA standard 156.3 2001 Grade 1 panic device standards, cycle tested to 500,000+ cycles
- 9 Volt Battery with Low Battery Alert
- Visual and Audible arming indicators
- Flashing red visual alert if alarm is not re-armed
- Remote Bypass and signal available with "W" option

Features

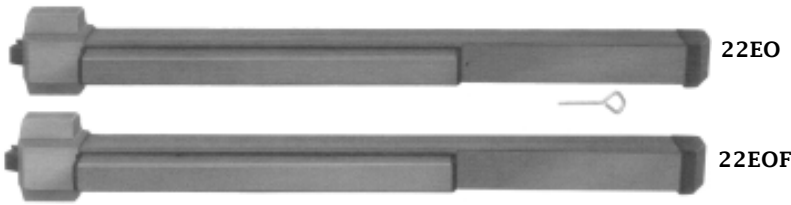
- The V40xEB device option is designed for doors that require a stand alone, battery powered, alarmed panic device. The alarm, with approximately 100dB, will sound when someone attempts to exit, alerting management that an unauthorized exit has occurred.
- Electronic switching monitors the latch bolt providing a high level of security while also meeting all life safety concerns.
- UL listed; Grade 1 panic and fire exit hardware as well as UBC standard 7-2 (positive pressure).

Included

- V40 Series exit device, EB electronics (mortise cylinder required - not included); 9 Volt battery; Cylinder Dogging; Code Compliant, Bright Push Pad Sign (English - Red); Aluminum base plate.

ORDER #	PKG.	UNIT
V40XEB-36"	1	EACH

22 RIM DEVICE / 22F FIRE EXIT RIM DEVICE



- **22 SPECIFICATIONS:** For all types of single & double door with mullion, UL listed for accidental hazard installations. Hex key dogging.
- Covers hollow metal doors with 161* cutouts & fits door stiles as narrow as 3-13/16".
- **22F SPECIFICATIONS:** For all types of 4' x 8' single doors and 8' x 8' double doors with 9854 or 9954 mullion, UL listed for up to 3 hour fire doors.
- Fits door stiles as narrow as 4-3/8".

Features:

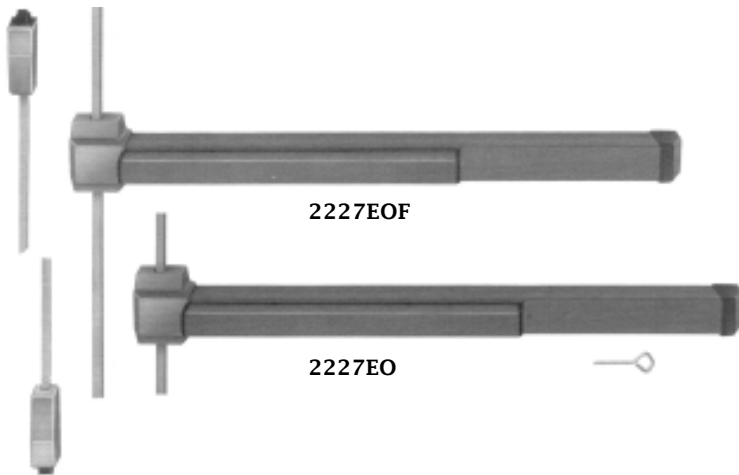
- Nonhanded; Field sizeable. **VON DUPRIN®**
- Latch bolt deadlocking. 3/4" throw latch bolt;
- Strikes: devices furnished standard with 299/299F strikes in dull black finish. Optional 499F strikes required on double doors (special order).
- Also available in dark bronze (special order).

DIMENSIONS

- **Touchbar height to finished floor:** 39-13/16" (1011mm) at center
- **Touchbar projection: Neutral:** 3-3/4" (95mm); **Depressed:** 3" (76mm)
- **Center case:** 4-3/16" x 2-3/8" x 2-3/4" (106mm x 60mm x 70mm)
- **Device length 3' (914mm):** 2'6" to 3' (762mm to 914mm) door size
- **Device length 4' (1219mm):** 3'1" to 4' (940mm to 1219mm) door size

ORDER #	FINISH	PKG.	UNIT
22EO SP28 3/0	ALUMINUM	1	EACH
22EO SP28 4/0	ALUMINUM	1	EACH
22EOF SP28 3/0	ALUMINUM	1	EACH

22 / 22F (FIRE EXIT) RIM SURFACE MOUNTED VERTICAL ROD DEVICE



VON DUPRIN®

2227 SPECIFICATIONS

- Surface mounted vertical rod device for all types of single or double doors. UL listed for accident hazard installations. Covers stock hollow metal doors with 161 cutout and door stiles as narrow as 3-5/8".
- Hex key dogging.
- Furnished with, 248-L, 299 & 304L strikes.

2227-F (FIRE EXIT) SPECIFICATIONS

- For all types of 8' x 8' double doors, UL Listed for use on up to 3 hour fire labeled installations. Fits door stiles as narrow as 3-5/8".
- Furnished with, 299F & 304L strikes.

2227/2227F Features:

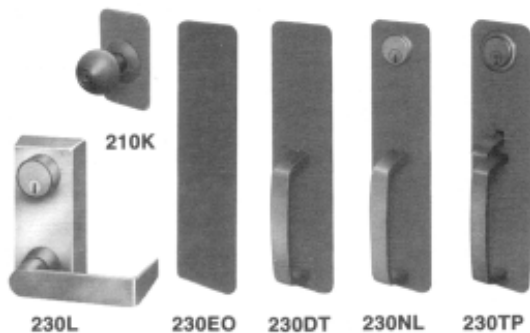
- Nonhanded; Field sizeable.
- Latch bolt deadlocking; 5/8" throw latch bolt.
- Also available in dark bronze (special order).

DIMENSIONS

- **Touchbar height to finished floor:** 39-13/16" (1011mm) at center
- **Touchbar projection: Neutral:** 3-3/4" (95mm); **Depressed:** 3" (76mm)
- **Center case:** 4-3/16" x 2-3/8" x 2-3/4" (106mmx260mmx270mm)
- **Device length: 3' (914mm):** 2'6" to 3' (762mm to 914mm) door size
- **Device length: 4' (1219mm):** 3'1" to 4' (940mm to 1219mm) door size
- **Top & bottom latch case:** 4-1/2" x 2-1/8" x 1-1/2" (114mmx54mmx38mm)
- **Vertical rods:** 1/2" (13mm) square tubing
- **Note:** Maximum door undercut, 1/4" (6mm).

ORDER #	FINISH	PKG.	UNIT
2227EO SP28 3/0	ALUMINUM	1	EACH
2227EOF SP28 3/0	ALUMINUM	1	EACH

SERIES 22 TRIM SELECTION

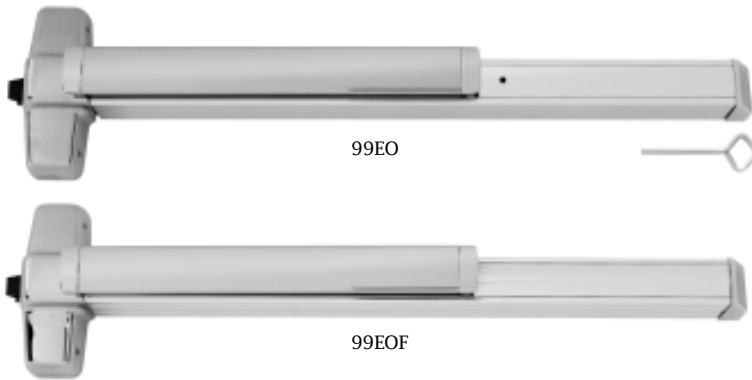


VON DUPRIN®

- **230 Series Plates:** 10 gauge steel escutcheons.
- Cylinders must be ordered separately.

ORDER #	FUNCTION	FINISH	PKG.	UNIT
210K SP28	KNOB	ALUM.	1	EACH
230DT SP28	DUMMY TRIM	ALUM.	1	EACH
230EO SP28	EXIT ONLY	ALUM.	1	EACH
230L SP28	LEVER	ALUM.	1	EACH
230L-BE SP28	LEVER-BLANK PLATE	ALUM.	1	EACH
230NL-SP28	NIGHT LATCH	ALUM.	1	EACH
230TP-SP28	THUMBPIECE	ALUM.	1	EACH

99 RIM DEVICE / 99F FIRE EXIT RIM DEVICE



- **Device Length:** 3' 2'4" to 3' (711mm to 914 mm) Door Size
- **Device Length:** 4' 2'10" to 4' (864 mm to 1219 mm) Door Size
- **Latch Bolt** Deadlocking, 3/4" (19mm) throw
- **Device Centerline from Finished Floor:** 39 13/16" (1011mm); 39 11/16" (1008 mm) with Mullion
- **Center Case Dimensions** 8" x 2-3/4" x 2-3/8" (203mm x 70mm x 60mm)
- **Mechanism Case Dimensions** 2-1/4" x 2 1/4" (57mm x 57mm)
- **Pushbar Projection: Neutral:** 3-13/16"; **Depressed:** 3-1/16"

99 SPECIFICATIONS

VON DUPRIN®

- For all types of single & double doors with mullions, UL listed for accident hazard installations; for heavy-traffic applications.
- Covers hollow metal doors with 86 or 161 cutouts.
- Hex key dogging.
- Strike: Furnished with standard 299 strike in dull black finish. Optional strikes available.

99-F SPECIFICATIONS

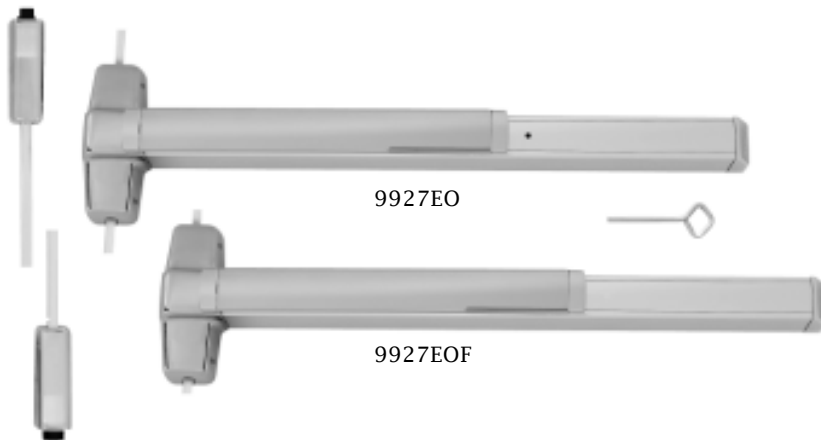
- For all types of single doors up to 4' x 10' or 8' x 10' double doors with 9954 or 9854 mullion, UL listed for Fire Exit Hardware.
- Strike: Furnished with standard 299F strikes in dull black finish. Optional 499F strike is required on double doors.

Features:

- Nonhanded; Field sizeable.
- ANSI A156.3 - 2001 Grade 1.
- 3/4" throw, latch bolt.
- Latch bolt deadlocking.
- Device Options: double cylinder, cylinder dogging, electric rim device, electric latch retraction, request to exit switch, signal switch, dummy push bar.

ORDER #	FINISH	PKG.	UNIT
99EO 3/0 US26D	DULL CHROME	1	EACH
99EO 4/0 US26D	DULL CHROME	1	EACH
99EOF 3/0 US26D	DULL CHROME	1	EACH
99EOF 4/0 US26D	DULL CHROME	1	EACH

99 / 99F (FIRE EXIT) SURFACE MOUNTED VERTICAL ROD DEVICE



- **Device Length 3':** 2'4" to 3' Door Size
- **Device Length 4':** 2'10" to 4' Door Size
- **Device Centerline from Finished Floor:** 39-5/8"
- **Door Undercut:** 1/4"
- **Center Case Dimensions:** 8" x 2-3/4" x 2-3/8"
- **Mechanism Case Dimensions** 2-1/4" x 2-1/4"
- **Top & Bottom Latch Case:** 4-1/2" x 2-1/8" x 1-1/2"
- **Vertical Rods:** 1/2" square tubing.
- **Pushbar Projection: Neutral:** 3-13/16" ; **Depressed:** 3-1/16"

9927 SPECIFICATIONS

- Surface mounted vertical rod devices for all types of single or double doors, UL listed for accident hazard installations. Covers stock hollow metal doors with 86 or 161 cutouts.
- Strike: furnished with standard 299, 248L and 304L strikes.
- Hex key dogging.

9927-F SPECIFICATIONS

- Surface mounted vertical rod device for all types of single or double doors, UL listed for Panic Exit Hardware. Covers stock hollow metal doors with 86 or 161 cutouts.
- Strike: furnished with standard 299F, 304L & 499F strikes.

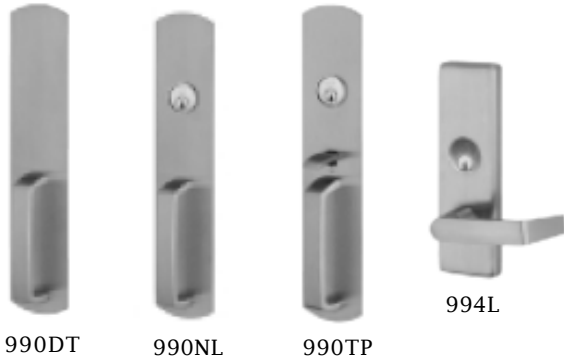
Features:

- Nonhanded; Field sizeable.
- ANSI A156.3 - 2001 Grade 1
- Latch bolt deadlocking; 5/8" throw, latch bolt.
- Available in other finishes (special order).

ORDER #	FINISH	PKG.	UNIT
9927 3/0 US26D	DULL CHROME	1	EACH
9927-F 3/0 US26D	DULL CHROME	1	EACH

SERIES 99 TRIM SELECTION

VON DUPRIN®

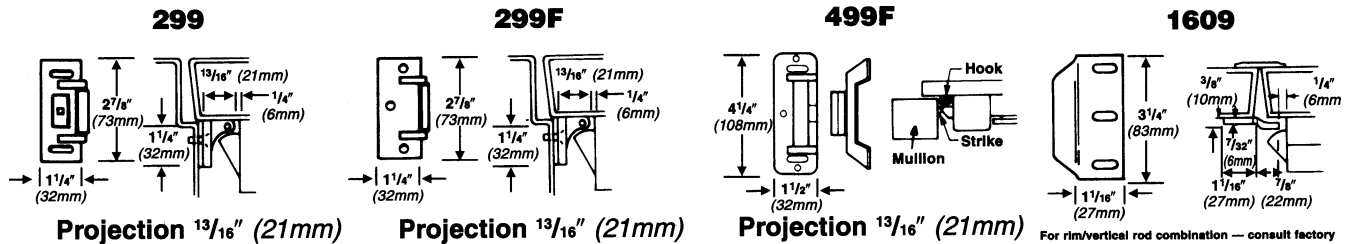


- 990DT Dummy Trim: Pull when dogged (not recommended for fire doors)
- 990NL Night Latch: Key retracts latchbolt.
- 990TP Thumbpiece: Key locks & unlocks.
- 994L Lever: Key locks & unlocks.

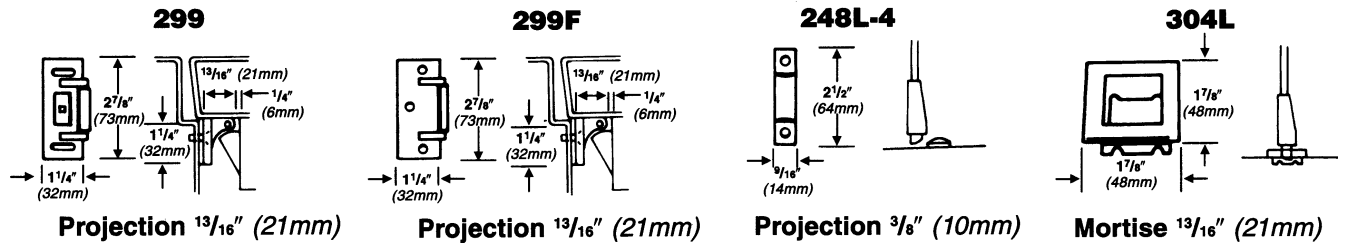
ORDER #	FUNCTION	FINISH	PKG.	UNIT
990DT US26D	DUMMY TRIM	DULL CHR.	1	EACH
990NL US26D	NIGHT LATCH	DULL CHR.	1	EACH
990TP US26D	THUMBPIECE	DULL CHR.	1	EACH
996L US26D LHR	LEVER - LH	DULL CHR.	1	EACH
996R US26D RHR	LEVER - RH	DULL CHR.	1	EACH

STRIKES FOR RIM & VERTICAL ROD DEVICES

VON DUPRIN®



STRIKES FOR RIM DEVICES



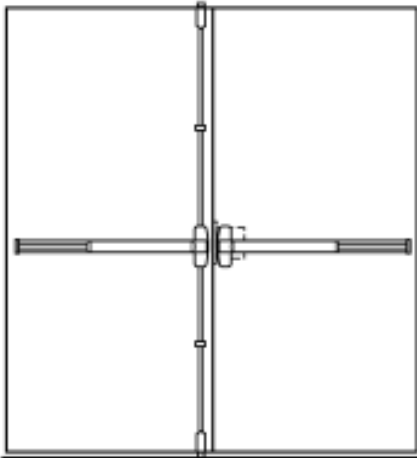
STRIKES FOR VERTICAL ROD DEVICES

More products shown online at
www.thehardwarehut.com

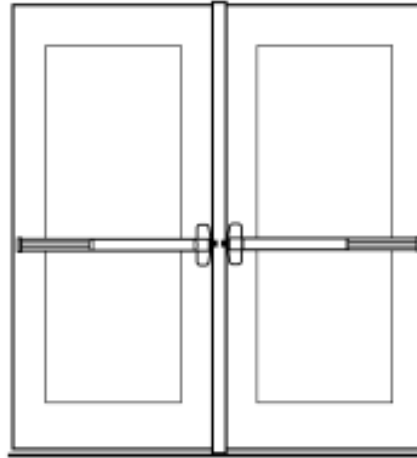


POPULAR DOUBLE DOOR APPLICATIONS

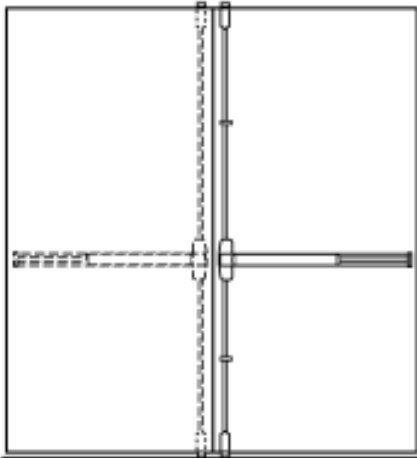
VON DUPRIN®



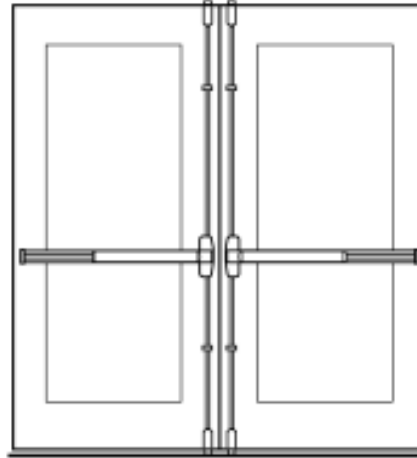
Mortise lock and surface mounted or Concealed Vertical rod device combination—same direction



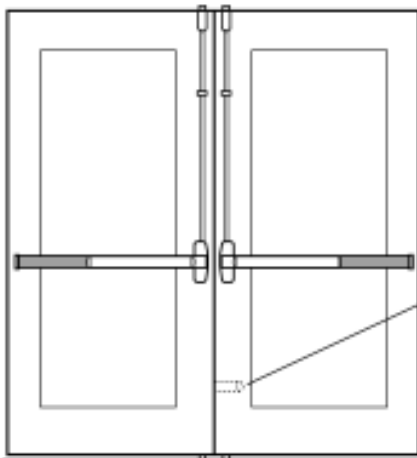
Two rim devices with mullion—same direction



Two vertical rods—double egress

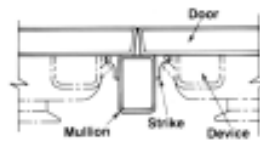


Two surface mounted vertical rod devices—same direction
(do not use with overlapping astragal)



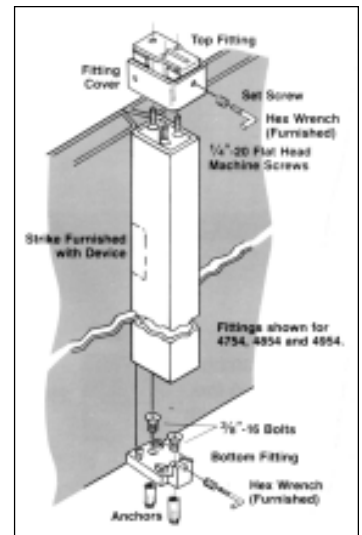
Two FEH vertical rods with auxiliary fire latch—LBR option

Auxiliary Fire Latch

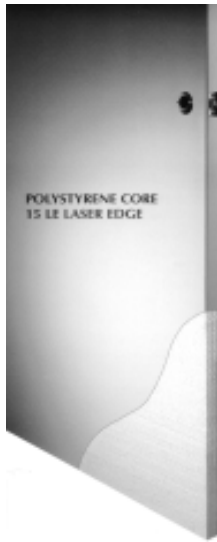


FOR STANDARD DOORS

- 4954 (above) Prepared for two 264, 299, or 1606 strikes. For use with all Von Duprin panic rim devices.
- Note: Specify strike choice with device.
- 1654 mullion: order 4954 mullion and specify devices with 1606 strikes.



HOLLOW METAL DOOR & FRAME SPECIFICATIONS



- Amweld's Exclusive Laser Welding Process (Laser Edge) produces a precise, highstrength weld for more accurately made doors with smoother edges.
- This low-heat process eliminates warping, seam separation, shifting of sheets, and grind marks. Amweld's patented laser process produces our edge of excellence.
- Amweld's Manufacturing Process uses the latest roll-forming techniques to fabricate our frames to the tightest tolerances in the industry. The door hardware fits right -every time!

Standard Features

- Continuous Laser Welded Edge Seam (Laser Edge)
- Fully Bonded, Heat Cured, Nip Rolled, Core
- Positive Pressure/Fire Rated
- Closer Reinforced
- Flush Top Channel
- Inverted Bottom Channel
- Non-Handed Design
- Universal 4 1/2" Hinge Prep.
- Prime painted

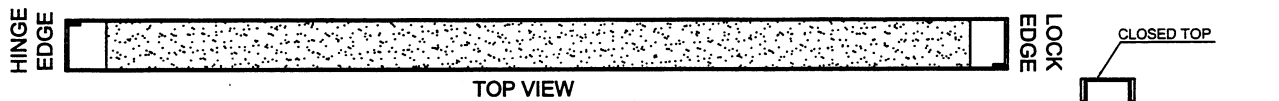


SPOKANE HARDWARE SUPPLY, INC. IS A U.L. LICENSED SHOP

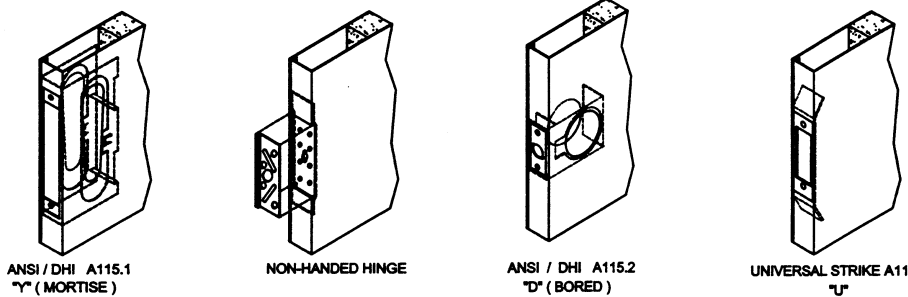
FIRE LABEL CLASSIFICATIONS

Label Classification & Usage

- A - 3 Hour Rating:** Openings in fire walls & division walls between buildings with wall ratings of 3-4 hours.
- B - 1-1/2 Hour Rating:** Openings in areas of vertical communications (stairwells) with a wall rating of 2 hours.
- C - 3/4 Hour Rating:** Opening in exterior walls subject to moderate fire exposure.
- D - 1-1/2 Hour Rating:** Opening in Exterior walls subject to moderate fire exposure.
- E - 3/4 Hour Rating:** Opening in exterior walls subject to moderate exposure.

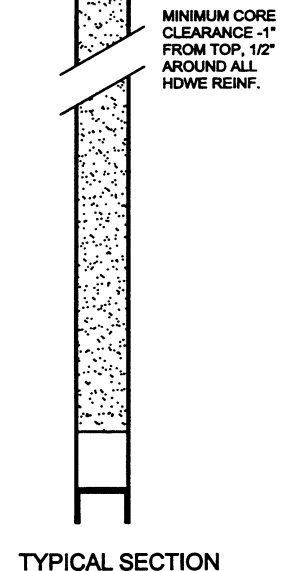


TYPICAL HARDWARE PREPARATIONS

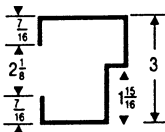
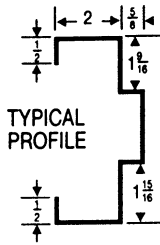


DOOR & FRAME HANDING CHART

<p>R.H. LOCK INSIDE KEY</p> <p>R.H. STRIKE JAMB</p> <p>R.H. HINGE JAMB</p> <p>OUTSIDE KEY SIDE</p> <p>RIGHT HAND DOOR (SWING IN) RIGHT HAND FRAME</p>	<p>INSIDE KEY</p> <p>L.H. LOCK</p> <p>L.H. HINGE JAMB</p> <p>OUTSIDE KEY SIDE</p> <p>L.H. STRIKE JAMB</p> <p>LEFT HAND DOOR (SWING IN) LEFT HAND FRAME</p>
<p>L.H. STRIKE JAMB</p> <p>INSIDE</p> <p>R.H.R.B. LOCK</p> <p>KEY</p> <p>OUTSIDE KEY SIDE</p> <p>RIGHT HAND REVERSE BEVEL DOOR (SWING OUT) LEFT HAND FRAME</p>	<p>INSIDE</p> <p>R.H. HINGE JAMB</p> <p>KEY SIDE OUTSIDE</p> <p>KEY</p> <p>L.H.R.B. LOCK</p> <p>LEFT HAND REVERSE BEVEL DOOR (SWING OUT) RIGHT HAND FRAME</p>
<p>R.H. HINGE JAMB</p> <p>INSIDE</p> <p>L.H. ASTRAGAL</p> <p>INACTIVE</p> <p>L.H.R.B. ACTIVE</p> <p>L.H.R.B. LOCK</p> <p>KEY</p> <p>OUTSIDE KEY SIDE</p> <p>PAIR OF DOORS—L.H.R.B. ACTIVE (SWING OUT) DOUBLE DOOR FRAME—R.H. ACTIVE</p>	<p>INSIDE</p> <p>R.H. HINGE JAMB</p> <p>R.H. ASTRAGAL</p> <p>INACTIVE</p> <p>R.H.R.B. ACTIVE</p> <p>R.H.R.B. LOCK</p> <p>KEY</p> <p>KEY SIDE OUTSIDE</p> <p>PAIR OF DOORS—R.H.R.B. ACTIVE (SWING OUT) DOUBLE DOOR FRAME—L.H. ACTIVE</p>
<p>L.H. LOCK</p> <p>L.H. ACTIVE</p> <p>INSIDE</p> <p>KEY</p> <p>L.H. HINGE JAMB</p> <p>R.H. ASTRAGAL</p> <p>R.H. HINGE JAMB</p> <p>OUTSIDE KEY SIDE</p> <p>PAIR OF DOORS—L.H. ACTIVE (SWING IN) DOUBLE DOOR FRAME—L.H. ACTIVE</p>	<p>INSIDE</p> <p>R.H. LOCK</p> <p>R.H. ACTIVE</p> <p>KEY</p> <p>L.H. HINGE JAMB</p> <p>L.H. ASTRAGAL</p> <p>R.H. HINGE JAMB</p> <p>KEY SIDE OUTSIDE</p> <p>PAIR OF DOORS—R.H. ACTIVE (SWING IN) DOUBLE DOOR FRAME—R.H. ACTIVE</p>

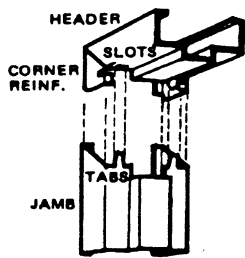
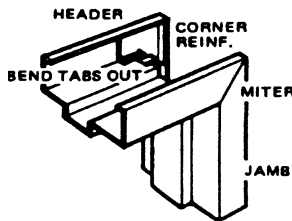


I-3/4" INTERLOCK® STANDARD STEEL FRAMES



Series 400 Labeled and NonLabeled

- Precision fit Inter-Lok® corner construction with inter-locking headers and jambs for use with steel or wood doors.
- Inter-Lok design assures in-place rigidity and durability, and quick and easy erection for significant saving in time and labor.
- Precision fit 2" faces. Jambs and headers self-aligning. Patented channel corner reinforcing plates are factory welded into the header. Jambs and headers are slipped together, held tightly at miter, concealed tabs are bent over, interlocking jamb and header to form a secure corner. Unit is exceptionally strong, with a clean, neat mitre.
- All frames cleaned, Bonderized® and primed with one baked-on coat of gray synthetic primer, for outstanding paint adhesion.
- Anchors available for virtually every type of wall construction.
- 16 ga. 1-3/4" door frame and 18 ga. 1-3/8" door frame with appropriate hardware preparations receive an FM label at no extra charge.
- Comprehensive UL fame label service available, including 20 min. label.
- Hinge reinforcement accommodates standard and heavy duty hinges.



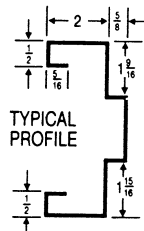
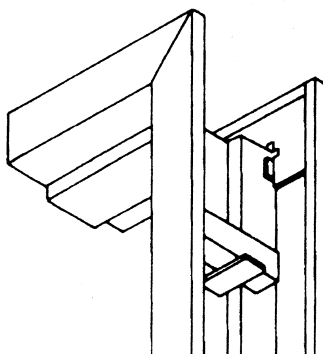
Series 400 - 4" Face Headers

- Amweld 4" headers for modular construction available in profiles of 4-3/4", 5-3/4", 6-3/4", 7-3/4" and 8-3/4". 1-3/4" frames to be used for butted or wraparound installation. 4" headers also for communicating frames in profiles of 5-3/4", 6-3/4", 7-3/4" and 8-3/4". When used with 7'0" jambs, 4" header eliminates cutting of blocks at tip of frames. Available Inter-Lok® K.D., or welded and ground smooth assembly, in 16 ga. steel. Available for UL and FM fire doors.

Universal Hinge Preparation

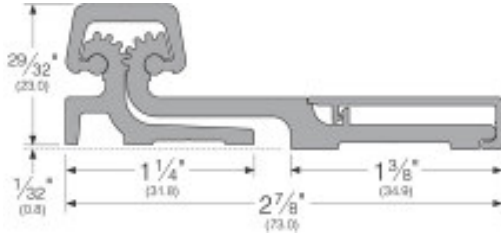
- For standard duty hinges, each 4-1/2" frame hinge reinforcing has tow set screws in place. To move door toward strike jamb, adjust set screws out. To move door toward hinge jamb, adjust set screw in. When heavy duty hinges are required, adjust set screws in until they are flush with top of reinforcing or remove the set screws.

I-3/4" DRYWALL FRAMES



- Series 2600 Drywall Frames feature screw adjusting anchors and unique Sure-fit® corner construction. 2" face standard.
- Series 2600 drywall frames are installed after wall has been finish decorated. Tight fitting frame covers rough cut, uneven edges of wall.
- Each miter joint reinforced with 18 ga. channel shaped gussets that automatically align frame corners for a tight, attractive mitre.
- Welded-in steel anchors are screw-adjusted after frame is installed, positioning jambs solidly against wall structure.
- Standard Series 2600 frames have welded-in 18 ga. sill anchors, predrilled and countersunk for four screws. As option, can be furnished with welded-in "reverse floor anchors" when wall prohibits attaching regular sill anchor to floor channel or plate.
- 16 ga. frames with appropriate hardware preps, up to 4090 in single size and up to 8080 or 7090 in double size, receive FM label at no extra cost.
- UL labeled frames available up to 4090 in single size, up to 8080 or 7090 in double size at a slight extra charge (16 ga. minimum).
- Available as primed units with baked-on coat of gray synthetic primer, or as a pre-painted unit to complement Amweld Pre-painted Steel Doors.
- Pre-mortised and reinforced for 4-7/8" Universal strike and full mortise hinges. Strike jambs prepared for three rubber mute. Optional hinges and hardware preparations available.

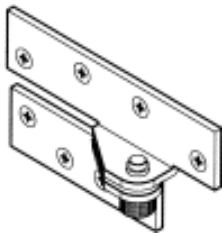
CONTINUOUS ARCHITECTURAL HINGE



- Full-surface, swing-clear hinge designed mainly for retrofit applications; applied to the exposed surface of the door & frame.
- Swings door completely out of opening at approximately 90°.
- Removable door leaf cover plate.
- Extruded aluminum.

ORDER #	SIZE	FINISH	PKG.	UNIT
CFS83 ALUM	83"	ALUMINUM	1	EACH

REINFORCING PIVOT



- 3/4" to center line of 4-1/2" hinge pin uses large pin & bushing.
- Adds support at the top of the door.
- Full surface applied; may be use on fire doors.
- All fasteners included.

ORDER #	FINISH	PKG.	UNIT
B1923L	ZINC	1	SET
B1923R	ZINC	1	SET

This is a comprehensive catalog of our major stock lines but it does not show all available product lines. If there is something you need that is not shown, we may be able to order it. Please call and we will do all we can to help. More products are also available online at www.thehardwarehut.com.